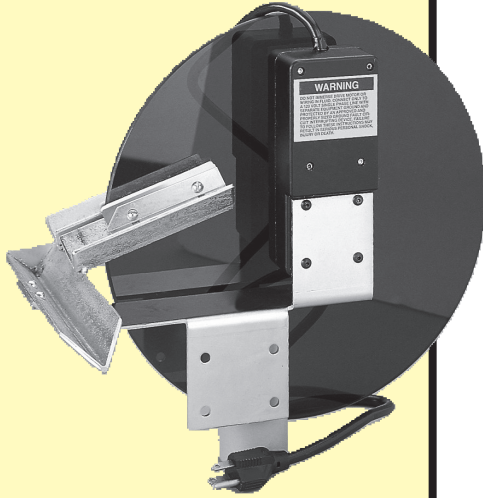




SKIM-DISC



CONTINUOUSLY REMOVES OILS, GREASE AND FLOATING CONTAMINANTS FROM WATER, COOLANTS, CLEANERS AND OTHER AQUEOUS SOLUTIONS

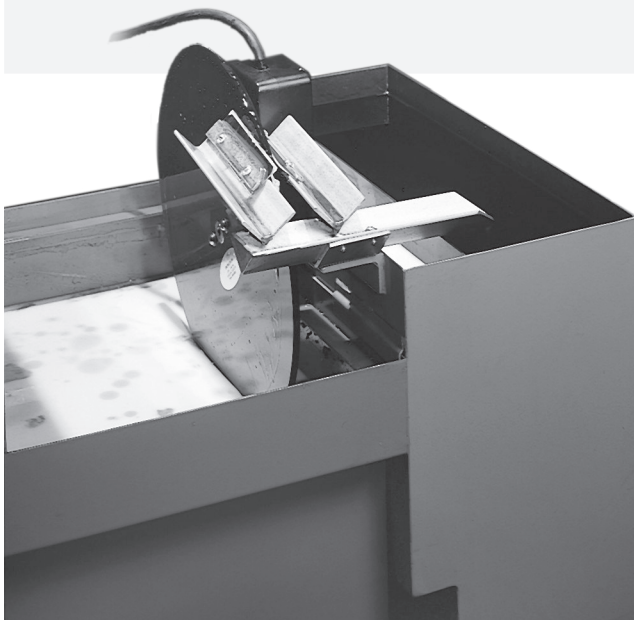
- Skim rate - 1.5 GPH
- Phenolic or stainless steel disc
For temperatures to 180°F
- Lightweight, easy to install, trouble free

BENEFITS

- Maintains solution surface free of oil
- Extends life of primary solution
- Less cleaning of piece parts
- Simplifies reclamation and disposal
Collected oil can be sold, burned or filtered and reused

The **SERFILCO Skim-Disc** is an inexpensive investment when compared with fluid costs, maintenance costs and process effectiveness. The equipment pays for itself in a very short time. For ease of operation and cost effectiveness SERFILCO oil skimmers outperform other methods.

Oil adheres to the slowly rotating disc and is automatically channeled by stationary wiper blades in a collector trough. The Skim-Disc with phenolic disc is ideal for machine tool coolants or other nonaggressive fluids at temperatures below 150° F. The Skim-Disc with stainless steel disc is good to 180°F. With few moving parts, SERFILCO Skim-Disc is easy to install maintain, and simple to operate.

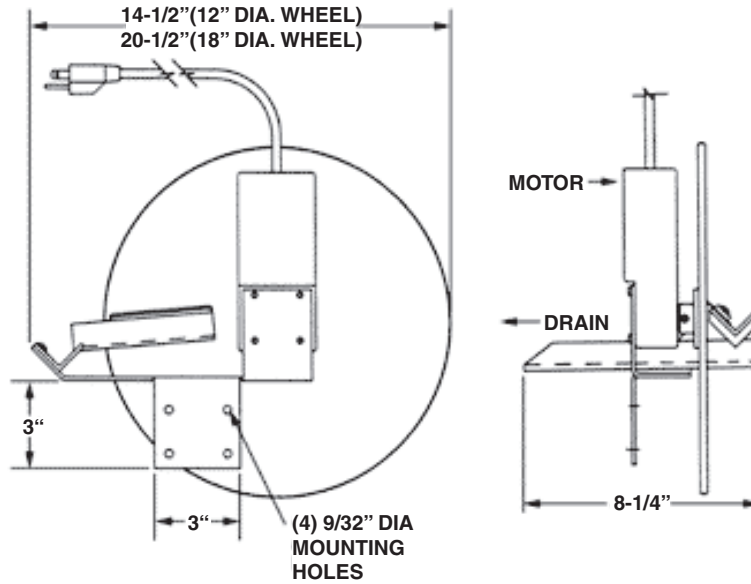


INSTALLATION

- Mount the unit with 2-3 inches of the wheel in the fluid.
- Mount in a safe area and protect from spraying fluids.
- A ground fault circuit interrupt device and proper grounding are required for electrical installation.
- Run when oil is floating on the surface. The best time maybe during downtime when the fluid is motionless.



SKIM-DISC



TO ORDER, use Price Code Number

SKIM-DISC

MODEL	DISC MATERIAL	DISC DIAMETER	SHIPPING WEIGHT	PRICE CODE NO.
SD12 - PH SD18 - PH	phenolic	12" 18"	12 lbs 15 lbs	99-0470 99-0471
SD12 - SS SD18 - SS	stainless steel	12" 18"	13 lbs 16 lbs	99-0468 99-0469

Note: Standard voltage is 115V/1/60.
For 220V/1/50, add -5 to Model
and Price Code No.