



SERIES 630 & 640 BAG FILTER CHAMBERS



Swing bolt cover closure with tee handles

Screw top cover closure

FOR FILTRATION & PURIFICATION OF PROCESS SOLUTIONS:

*WATER TREATMENT / FOOD PROCESSING
CLEANING / PHOTOGRAPHIC
ELECTROPLATING / PHARMACEUTICAL
CHEMICAL / PETROCHEMICAL / BEVERAGE*

FEATURES:

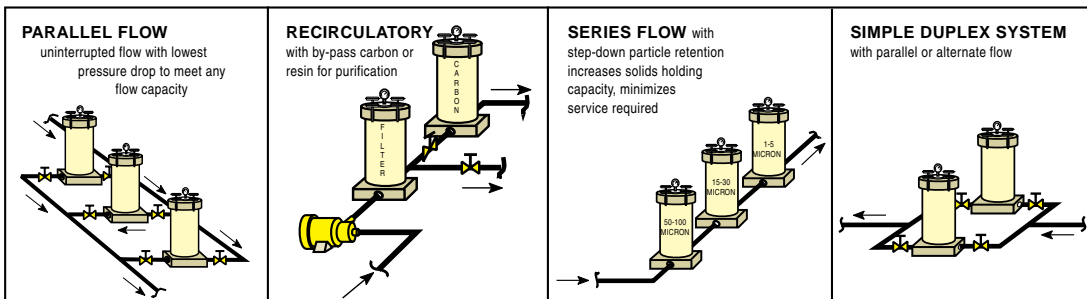
- **Non-metallic solution contact**
PVC, CPVC, polypropylene or PVDF construction
EPDM elastomers standard (Viton® optional)
- **Sizes to 5.0 square feet (0.5 sq/m)**
For flow rates to 40 GPM (151 LPM)
- **Bottom inlet – bottom outlet design**
Allows chamber to be hard piped
Change bags without disconnecting piping
- **Easy to service**
Swing bolt / tie rod cover closure with tee handles or screw top cover closure
- **Port sizes 1" FNPT**
- **Polypropylene filter bags**
1, 5, 10, 25, 50 & 100 micron

The Series 630 and 640 Bag Filter Chambers are designed for filtering various process solutions where clarification will extend operating life and improve quality.

These chambers have been redesigned to make them easier to operate and more convenient to service. The new design features a bottom inlet and bottom outlet which allows these chambers to be hard piped and allows the user to change bags without disconnecting any hoses or piping. Additionally the new design gives

a choice of cover closure; either the traditional swing bolt/tie rod with tee handles or screw top.

As before the Series 630 and 640 Bag Filter Chambers feature non-metallic solution contact and are offered in a choice of materials of construction to meet a wide variety of applications. The single bag design provides filter area to 5.0 sq. ft. and micron retention Ratings of 1 to 100.





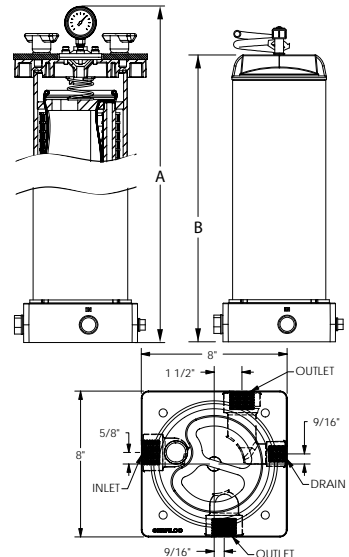
Chambers with choice of swing bolt/tie rod cover closure with tee handles or screw top cover closure.

Pressure gauge with gauge guard standard on chambers with tee handles. EPDM elastomers standard.

DESCRIPTION		TEE HANDLE		SCREW TOP	
		MODEL NUMBER	PRICE CODE NUMBER	MODEL NUMBER	PRICE CODE NUMBER
PL	PVC shell sealed to base, CPVC base and cover. SS swing bolts with tee handles or screw top cover closure. Polypropylene vent valve or vent plug.	PL630BFS-1-G3	78-1773P	PL630BFP-1	78-1793P
		PL640BFS-1-G3	78-1774P	PL640BFP-1	78-1794P
CL	CPVC shell sealed to base, CPVC base and cover. SS swing bolts with tee handles or screw top cover closure. Polypropylene vent valve or vent plug.	CL630BFS-1-G3	78-1773C	CL630BFP-1	78-1793C
		CL640BFS-1-G3	78-1774C	CL640BFP-1	78-1794C
PPL	Polypropylene shell sealed to base. Glass reinforced polypropylene base and cover. SS tie rods with tee handles or screw top cover closure. Polypropylene vent valve or vent plug.	PPL630BFS-1-G3	78-1783PP	PPL630BFP-1	78-1793PP
		PPL640BFS-1-G3	78-1784PP	PPL640BFP-1	78-1794PP
KL	PVDF shell sealed to base. PVDF base and cover. SS tie rods with tee handles. PVDF vent plug.	KL630BFS-1-G3	78-1783K	-	-
		KL640BFS-1-G3	78-1784K	-	-

For Viton elastomers change **L** to **V** in model Number and add **-V** to Price Code Number

SERIES NUMBER	SURFACE AREA		PORTS	MAXIMUM FLOW RATE		HEIGHT				SHIPPING WEIGHT	
	ft. ²	m ²		GPM	LPM	A		B		lbs	kg
						in	mm	in	mm		
630	3.5	.3	1"	40	151	39.5	1003	36.6	930	38	17
640	5.0	5.0	1"	40	151	49.5	1257	46.6	1184	50	23



POLYPROPYLENE FILTER BAGS (EPDM seal rings)				
NOMINAL MICRON RATING	FOR 630 CHAMBERS		FOR 640 CHAMBERS	
	PRICE CODE NO	MODEL NUMBER	PRICE CODE NO	MODEL NUMBER
1	88-0832G	FB-PP01 x 3.5	88-1476F	FB-PP01x5
5	88-0832A	FB-PP05 x 3.5	88-1476A	FB-PP05x5
10	88-0832B	FB-PP10 x 3.5	88-1476B	FB-PP10x5
25	88-0832C	FB-PP25 x 3.5	88-1476C	FB-PP25x5
50	88-0832E	FB-PP50 x 3.5	88-1476E	FB-PP50x5
100	88-0832D	FB-PP100 x 3.5	88-1476D	FB-PP100x5