

7FOS Series

Universal Multi-Cartridge Filter Housings



- Designed for industrial and commercial filtration needs
- Heavy-duty 304L or 316L stainless steel construction for maximum durability and corrosion resistance
- V-band clamp or swing bolt closures for quick and easy cartridge change outs and secure sealing
- Holds seven cartridges between 10" to 40" lengths for optimal choice of flow rates
- Universal seats accept DOE and 222 style cartridges (226 cartridge connectors are optional)
- Knife edge seals eliminate bypass on DOE cartridges
- Adjustable top plate accepts variable length cartridges
- Stainless steel mounting legs
- Wide range of options to meet specific filtration and installation requirements

Applications

Water	Desalination
Chemicals	Food & Beverage
Electronics	Oil / Gas
Power	Inks / Paints / Coatings
Coolants	Pulp & Paper

Specifications & Operating Parameters

Maximum Operating Pressure

150 psig (10.3 bar) @ 300°F (149°C)

Inlet and Outlet Connections

Inlet /Outlet: 2" MNPT

Drain Ports: 1/2" FNPT

Vent Ports: 1/4" FNPT

*Optional: MNPT, FNPT and BSP fittings,
RF flanges, Sanitary ferrules and Grooved fittings*

Materials of Construction

Head and Shell: 304L or 316L Stainless Steel

Connections: 304L or 316L Stainless Steel

Closure: Clamp: 304L Stainless steel

Swing Bolts: Zinc Plated Steel

Vent and Drain Plugs: 304L or 316L Stainless Steel

Mounting Legs: 304L Stainless Steel

Gaskets

Buna N (FDA Grade)

*Optional: EPR, Silicone, Viton or Teflon
Encapsulated Silicone*

Finish

Poly-coat on exterior surfaces

Optional: Electro-polish, Glass bead or Passivate

Cartridge Type

DOE or 222 cartridges (maximum 2 3/4" OD)

Optional: 226 adapters

Custom Options

- Gauge Ports or Gauge Ports with Pressure Gauges

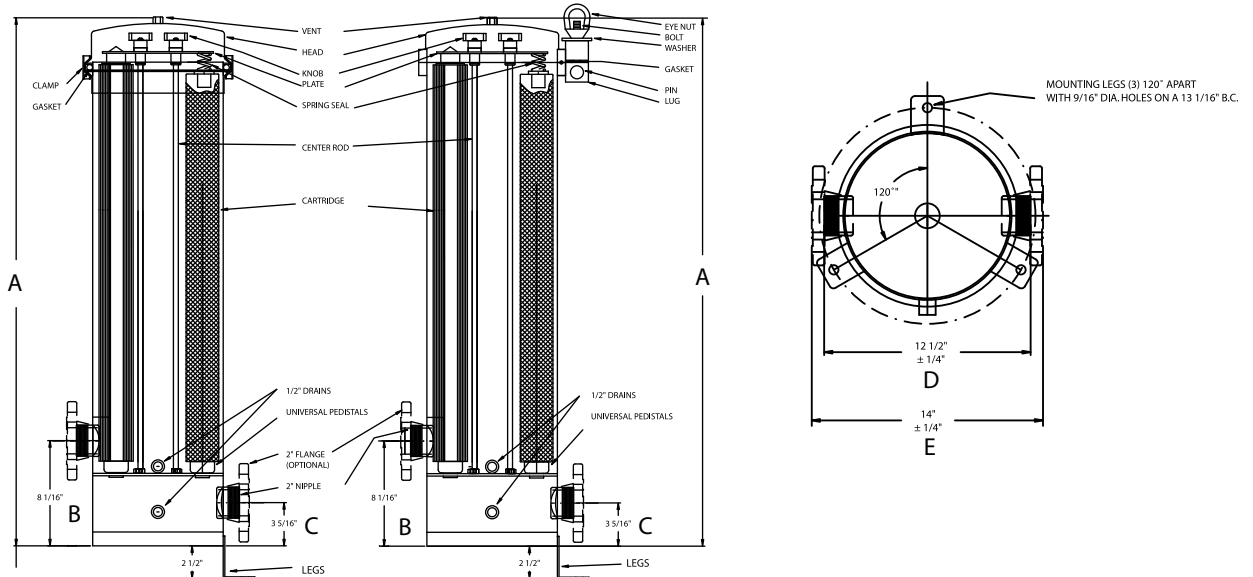
- Heavy Duty Mounting Legs

See Ordering Guide for complete selection of options

MODEL	QUANTITY (LENGTH) OF CARTRIDGES +	RATED FLOW CAPACITY* GPM(LPM)	INLET / OUTLET (PIPE SIZE)	MAXIMUM DIAMETER CARTRIDGE	CLAMP STYLE	SWING BOLT STYLE				
					A	A	B	C	D	E
7FOS1	7 (10")	49 (185.5)	2"	2 3/4"	20 1/2" (52.1 cm)	21" (53.3 cm)	8 1/16" (20.48 cm)	3 5/16" (8.41 cm)	12 1/2" (31.75 cm)	14" (35.56 cm)
7FOS2	7 (20")	98 (371.10)	2"	2 3/4"	30 1/2" (77.5 cm)	40 1/2" (102.9 cm)	8 1/16" (20.48 cm)	3 5/16" (8.41 cm)	12 1/2" (31.75 cm)	14" (35.56 cm)
7FOS3	7 (30")	157 (594.3)	2"	2 3/4"	49 1/2" (125.7 cm)	50 1/2" (15.4 cm)	8 1/16" (20.48 cm)	3 5/16" (8.41 cm)	12 1/2" (31.75 cm)	14" (35.56 cm)
7FOS4	7 (40")	196 (741.9)	2"	2 3/4"	59 1/2" (151.1 cm)	60 1/2" (153.7 cm)	8 1/16" (20.48 cm)	3 5/16" (8.41 cm)	12 1/2" (31.75 cm)	14" (35.56 cm)

+ Housings will accept cartridge lengths: 10" = (9 3/4" or 10"), 20" = (19 1/2" or 20"), 30" = (29 1/4" or 30") and 40" = (39" or 40")
 * Based upon 7 gpm per 10" length with a 25 micron wound cartridge at 2 PSID clean and viscosity of 1 cps. Flow rates are for guidelines only. Actual flow rates are based on fluid, viscosity, cartridge type, micron ratings and other factors.

Dimensions



Ordering Guide (Example: 7FOS3-C-316-226-2MNPT-ML-B)

7FOS	3	C	- 316	- 226	- 2	MNPT	- ML	- B
MODEL	LENGTH OF CARTRIDGES	CLOSURE STYLE	MATERIAL	CARTRIDGE CONFIGURATION	CONNECTION SIZE	CONNECTION TYPE	OPTIONS	GASKET
7FOS	1 = 1 High 2 = 2 High 3 = 3 High 4 = 4 High	C = Clamp SB = Swing Bolt	304 = 304L 316 = 316L	Blank = Universal Pedestal for DOE and 222 Fin/Flat Style Cartridges (Standard) 226 = 226 Fin/Flat Style Cartridge	2 (standard) 1.5 3	MNPT = Male Pipe Thread (standard) FMPT = Female Couplings BSPT = BSP Tapered * BSPP = BSP Parallel * F = Flange TC = Ferrules GF = Grooved Fittings	ML = Mounting Legs (standard) OL = Heavy Duty Legs GP = Gauge Ports GPA = Gauge ports with Gauges EP = Electropolished GB = Glass Bead P = Passivate	B = Buna N (standard) E = EPR S = Silicone V = Viton TS = Teflon Encapsulated Silicone

* BSPT and BSPP are all available in 2" MALE connections only.

Customization

Housings may be customized to meet your precise requirements. Contact Shelco's technical support staff or your distributor for more information.