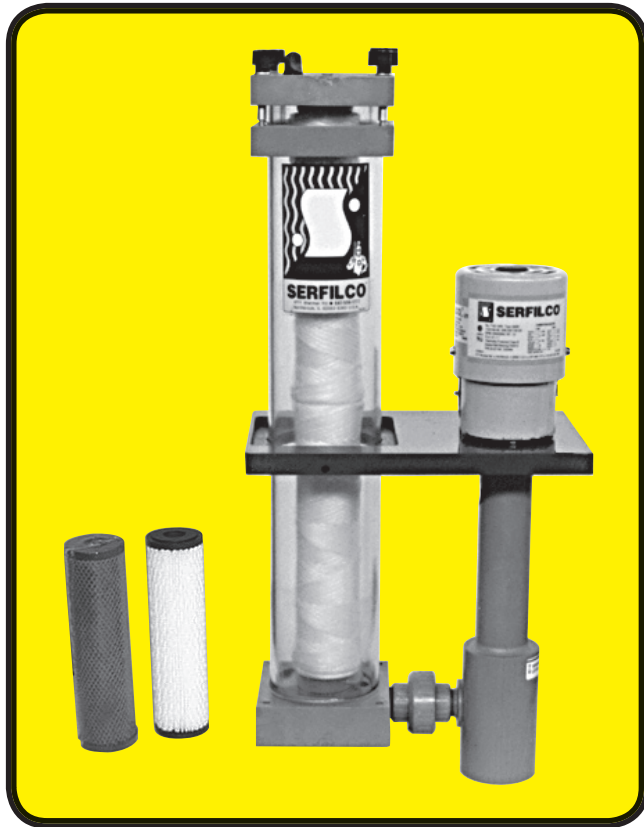




ADMIRAL® 'EL' FILTRATION SYSTEMS

For Acid, Aqueous or Alkaline Solutions



FEATURES

- Flow rates to 1,000 GPH
- Non-metallic solution contact
CPVC or PVDF with EPDM elastomers.
Viton® elastomers optional.
- Runs dry without damage
- Compact, lightweight
- For 10", 20" or 30" cartridge lengths
- For in-tank or out-of-tank mounting

BENEFITS

- Efficient pump and pressurized filter chamber provides longer intervals of continuous high flow than any suction style filter
- Reduce scrap, rework, chemical consumption, tank maintenance — improve product quality
- Accepts a wide variety of media — string wound, melt blown, pleated, carbon, sleeves or canisters, or a combination thereof
- Easy media change — unit does not have to be removed from the tank — no tools are required

SPECIFICATIONS

SYSTEM:

ADMIRAL 'EL' filtration systems consist of a vertical, dry-run capable pump and a single column filter chamber for a 10", 20" or 30" filter cartridge. The pump and filter are mounted in a compact configuration using a common mounting plate and union connection between the pump outlet and filter inlet.

FILTER:

The filter is industry proven for ease of service and reliability. The Series 'L' filter chamber will accommodate a wide variety of filter media including string wound, pleated, melt blown, carbon, cleanable sleeves or reusable canister. This rugged chamber features totally non-metallic solution contact and is constructed of either PVC with a translucent shell, polypropylene, CPVC or PVDF. The thumb screw cover closure with "O"-ring ensures a proper seal and requires no tools for cartridge changing. The

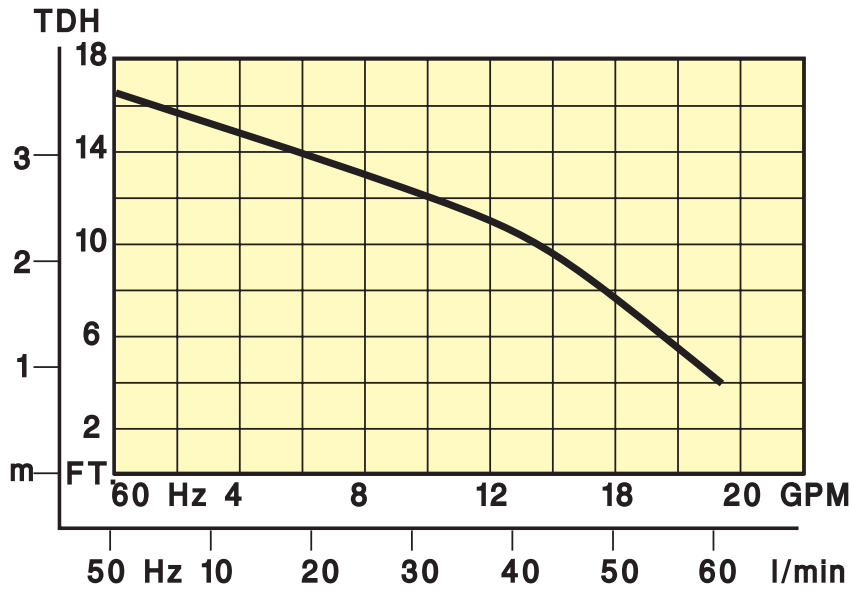
chamber cover also includes a handy vent valve for purging air from the chamber.

PUMP:

The rugged Series 'E' is a tough, all machined pump designed for years of trouble-free operation. This pump is constructed of either polypropylene, CPVC or PVDF and features a cantilevered, sleeved stainless steel shaft which eliminates bearings and seals, resulting in a pump that can run dry without damage. The pump features a TFE vapor seal between the rotating shaft and the support column which protects the motor. The compound impeller prevents liquid from rising in the column, even at maximum TDH, while the semi-enclosed bottom impeller provides efficient flow performance at low horsepower. Motors are 115-230V/1/50-60 Hz, TEFC with 8 ft. cord and 3-prong molded plug.

SERFILCO — worldwide leader in service, dependability and design for over 40 years!

ADMIRAL 'EL' Filtration Systems specifications and ordering information



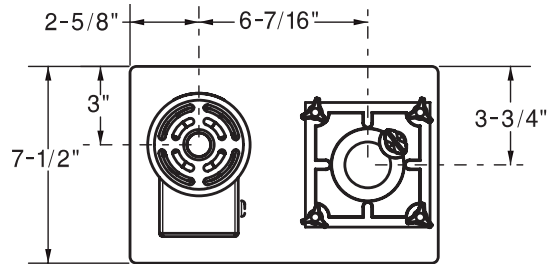
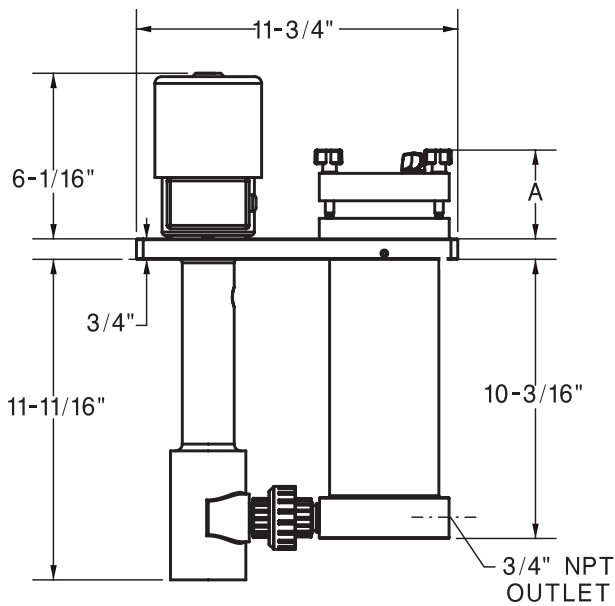
TO ORDER, use System Number

SYSTEM NUMBER				MEDIA ¹ No - lgth.	DIM. A (Inches)	PUMP			CONNS. 1" x 3/4" NPT	SHIPPING WEIGHT (lbs.)
PVC	PP	CPVC	PVDF			MODEL	HP	MAX. FLOW (U.S. GPH) *		
PL1E	PPL1E	CL1E	KL1E	1 - 10"	3 1/4	E3/4	1/8	1000		17
PL2E	PPL2E	CL2E	KL2E	1 - 20"	13 1/4					19
PL3E	PPL3E	CL3E	KL3E	1 - 30"	23 1/4					21

* See flow curve

¹ Order filter media separately. Refer to Bulletin M-109.

OPTIONAL	ADD TO SYSTEM NO.
Viton® elastomers on filter chamber and pump	V



TOP VIEW

F.O.B. Northbrook, Illinois

Specifications subject to change without notice.

Registered trademarks: Viton - DuPont Dow Elastomers



SERFILCO

2900 MacArthur Blvd. 847-509-2900
 Northbrook, IL 60062-2005 U.S.A. 800-323-5431
 e-mail: sales@serfilco.com FAX: 847-559-1995
 www.serfilco.com

DISTRIBUTED BY