



## SERIES 'CB' FILTRATION SYSTEMS

### *For recirculating filtration on a reservoir*



Shown with  
cover open

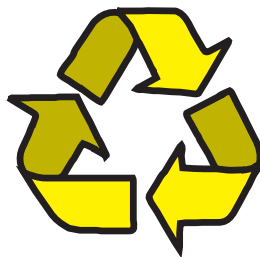
- COMPLETELY PRE-ENGINEERED AND ASSEMBLED
- QUICK CHANGE REUSABLE FILTER MEDIA MEANS FAST PAYBACK
- PERMITS WATER REUSE
- PREVENTS NOZZLE PLUGGING
- PROVIDES BETTER CLEANING
- PREVENTS POLLUTION
- NO BACKWASH REQUIRED
- AVAILABLE WITH AUTOMATIC ON / OFF PUMP CONTROL

The Cartridge / Bag system is a 2-stage liquid-solid separation system designed to provide high solids loading capabilities for applications requiring recirculating filtration of a process reservoir. Typical applications include the removal of particles from glass and plastic in bottle washing operations and the removal of board fiber, wheel grit, copper and other metals from water used in PC board deburring and scrubbing equipment.

The first stage employs a primary filter tank containing 8 gravity flow filter bags to collect bulk particles separated from rinse water. This stage provides 17.6 ft.<sup>2</sup> of filter surface area and is capable of filtering particles from 100 micron to 5 micron, depending upon the micron rating of the filter bags selected. The filter bags are

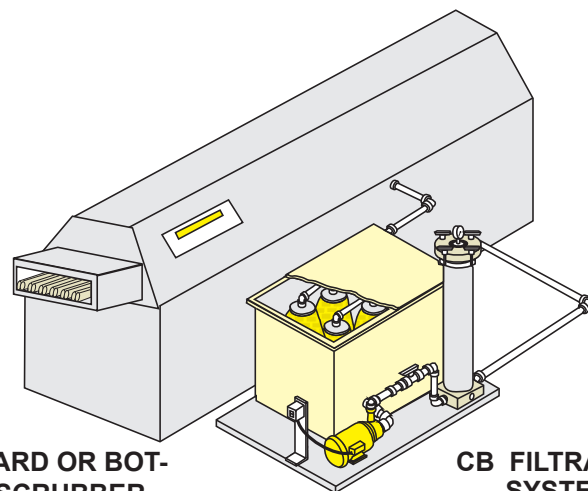
attached to a manifold with cam-lock quick-disconnect couplings for minimal down-time when servicing. The manifold includes an overflow vent which prevents back-up of system flow.

A circulating pump can be manually activated, or automatically activated with an optional level control, to transfer the filtered water from the primary filter tank to the second stage. This stage consists of a final trap filter chamber which uses a 2 micron pleated paper filter cartridge with 32 sq. ft. of surface area to polish the water so that clear water can be recycled to the process or discharged to a drain.



### **FEATURES:**

- Flow control valve
- High solids loading
- Vinyl coated steel base



PC BOARD OR BOT-  
TLE SCRUBBER

CB FILTRATION  
SYSTEM



**SPECIFICATIONS**

**Entire system constructed of corrosion resistant materials for long service life.**

**PRIMARY FILTER TANK**

Eight 5, 10, 25, 50 or 100 micron polypropylene filter bags (order separately) with quick-disconnect couplings provide 17.6 sq. ft. (1.6 sq. m) total area primary filtration by gravity flow to a 36" x 24" x 32" (914 x 610 x 813 mm) deep polyethylene reservoir. Reservoir provided with cover.

**AVAILABLE WITH:**

**PVDF CENTRIFUGAL PUMP**

Provides 30 U. S. GPM at 18 PSI @ 60 Hz (95 LPM at 1.2 bar @ 50 Hz) with Viton® mechanical seal and "O"-ring. Flow control valve on 1" PVC pipe between pump and final filter.

or

**NORYL® SELF-PRIMING CENTRIFUGAL PUMP**

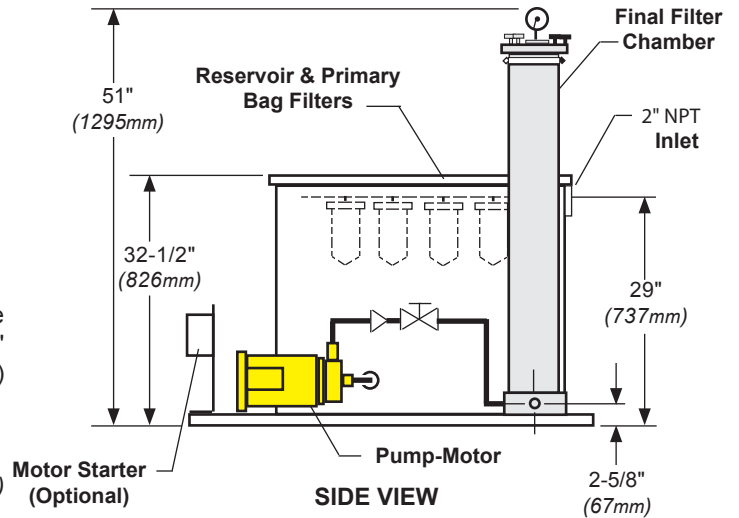
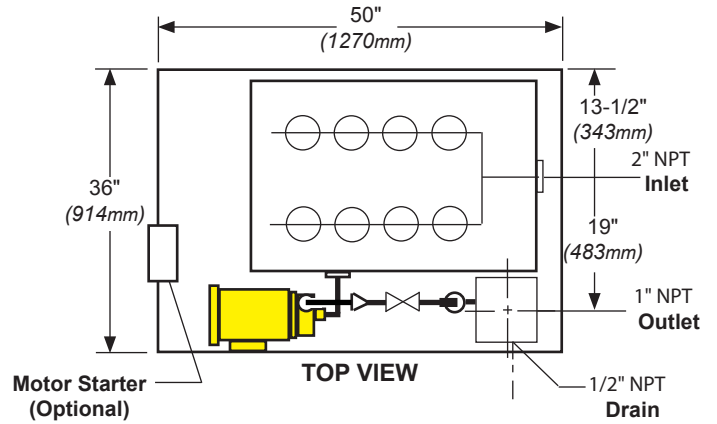
Provides 30 U. S. GPM at 21 PSI @ 60 Hz (95 LPM at 1.4 bar @ 50 Hz) with Viton® mechanical seal and "O"-ring. Flow control valve on 1" PVC pipe between pump and final filter.

**FINAL TRAP FILTER CHAMBER**

Constructed of PVC with quick opening swing bolts and tee handles. Supplied with pressure gauge. Includes one 4" x 36" pleated paper filter cartridge of 2 micron, 32 sq. ft. (3.0 sq. m.) expanded filter area.

**VINYL COATED STEEL BASE**

Approximate shipping weight - 200 lbs. (91 kg.)



**TO ORDER, use Price Code Number**

MODEL with PVDF end suction 'K' pump	MOTOR	PRICE CODE NO.
	TEFC, 1.5 HP 3450 RPM @ 60 Hz 2850 RPM @ 50 Hz	
CBF 65x58 1½x1½K3V(M2)-C1.5	115-230V/1/60	2750
CBF 65x58 1½x1½K3V(M2)-D1.5	230V/460V/3/60 380V/3/50	2751

MODEL with NORYL self-priming 'G' pump	MOTOR	PRICE CODE NO.
	TEFC, 1.0 HP 3450 RPM @ 60 Hz 2850 RPM @ 50 Hz	
CBF 65x58 GNOKCVN-C1.0	115-230V/1/60	2733
CBF 65x58 GNOKCVN-D1.0	230V/460V/3/60 380V/3/50	2734

Registered trademarks:  
Noryl - General Electric; Viton - DuPont Dow Elastomers  
Specifications subject to change without notice.

F.O.B. Northbrook, Illinois

**OPTIONAL**

DESCRIPTION	PRICE CODE NO.
<b>LEVEL CONTROL</b> (motor starter required) Automatic on / off pump control	O-1490
<b>MOTOR STARTER</b> Watertight push button, 115-230V/1/50-60 230-460V/3/50-60 Note: For use with O-1490 level control use O-MS1S or O-MS3S (H-O-A starter)	O-MS1P O-MS3P
<b>FILTER MEDIA</b> (Bags ordered separately, 1 cartridge included in original equipment.) Bags - Polypropylene, size 7" x 16" (8 req'd) 5 micron 10 micron 25 micron 50 micron 100 micron	88-0848A 88-0848B 88-0848C 88-0848D 88-0848E
Replacement pleated cartridge 2 micron (1 required)	PL436-2-4