


SERIES 'CB' CARTRIDGE/BAG FILTRATION SYSTEM

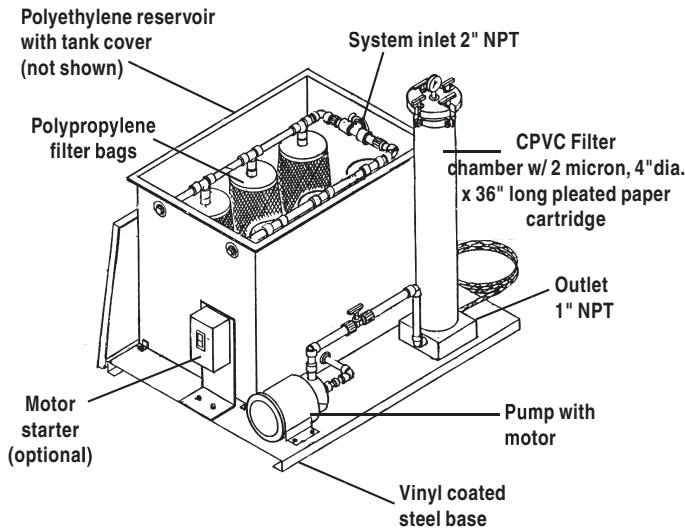
OPERATION AND
SERVICE GUIDE
O-1050B
JAN. 1998

MODELS:	PRICE CODE NOS.	MODELS:	PRICE CODE NOS.
w/PVDF 'K' PUMP CBF 65x58 1½x1½ K3V(M2)-C1.5	2750	w/NORYL 'G' PUMP CBF 65x58 GNOKCVN-C1.0	2733
CBF 65x58 1½x1½ K3V(M2)-D1.5	2751	CBF 65x58 GNOKCVN-D1.0	2734

Refer to Bulletin F-601 and Parts List P-9600.

PRE-START-UP

1. Connect discharge water from scrubbing equipment to inlet of filter system located near the top edge of tank. All filter bags should be locked in place and filter cartridge should be in filter chamber. It is suggested that a valve be installed in the inlet piping for use if the system is to be shutdown.
2. Insert a hose adapter into the 1" NPT outlet hose in the filter base if hose is to be used for the effluent. Rigid plastic pipe can be used. Pipe to the sewer or back to the scrubbing equipment.
3.  Wire motor starter for the correct motor voltage according to the national or local electrical code.




START-UP

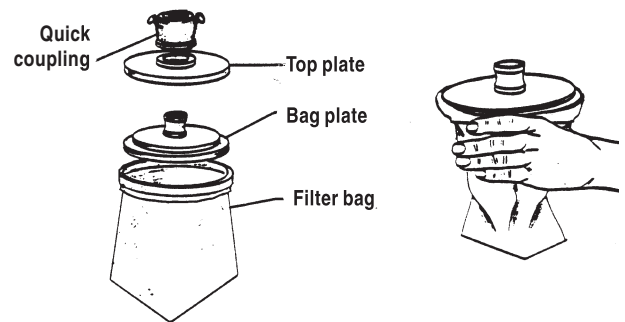
1. Allow liquid to enter inlet of reservoir and flow through filter bag.
2. When liquid is approximately 12 inches above outlet in reservoir, start the motor to pump the filtered water through the polishing filter. Vent chamber by opening vent screw.

3. Valve on discharge of pump can be adjusted so that water level in reservoir is maintained. Check level at frequent intervals as clogged bags or filter cartridge will affect liquid level.

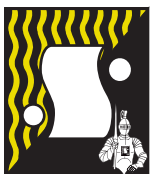
TO REPLACE BAGS

1.  Valve on inlet should be closed. Turn off pump motor.
2. Pull down both locking handles of quick coupling. Bag with plates can then be removed.
3. Lift off top plate. Bag can then be removed from bag plate.
4. To replace bag, bag plate must be put inside of bag, and ring at top of bag should fit on recess at bag plate edge. Hold bag as illustrated.
5. Put top plate above bag plate. Push coupling adapter into coupler and pull handles up to lock assembly in place. Bag should be on recess of plate and held in place by top plate.

TO REPLACE FILTER CARTRIDGE



Refer to Operation and Service Guide O-889.



SERFILCO[®], LTD.

2900 MacArthur Blvd. 847-509-2900
Northbrook, IL 60062-2005 U.S.A. 800-323-5431
e-mail: sales@serfilco.com FAX: 847-559-1995
www.serfilco.com