

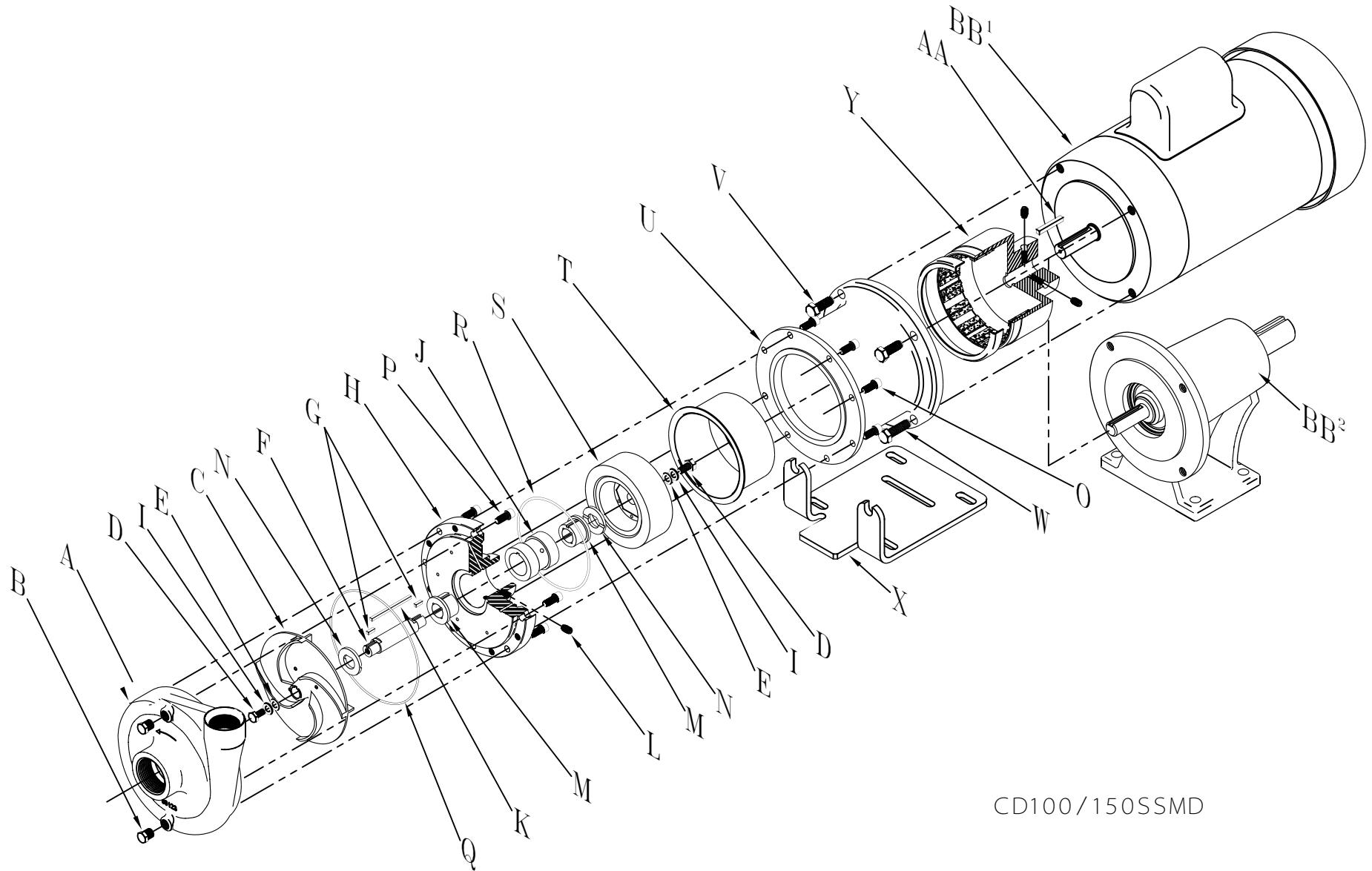
**PRICE® PUMP CO.**CD100/150 SS Mag Drive Parts List

Key #	Description	Quantity	CD100SS:	CD150SS:
A.	Volute	1	0247-0	2411-0
B.	Pipe Plug	2	0559	0559
C.	Impeller	1	2413-dia	2412V-dia
D.	Lockdown Bolt	2	0596	0596
E.	Lockdown Washer	2	2423	2423
F.	Shaft 316 SS (std)	1	3695	3695
F.	Shaft 316 Tungsten Carbide (Opt)	1	3695-30	3695-30
G.	Shaft Key	2	2424	2424
H.	Separator Plate	1	3696	3696
I.	Vibration Washer	2	2344	2344
J.	Bushing Sleeve	1	3697	3697
K.	Bushing Key	2	2464	2464
L.	Setscrew	2	2452	2452
M.	Bushing	2		
	Carbon (Std)		3699	3699
	Silicon Carbide (Opt)		3630	3630
N.	Thrust Washer	2		
	Ceramic (Std)		3700	3700
	Silicon Carbide (Opt)		3629	3629
O.	Drive Housing Bolts	8	2466	2466
P.	Volute Bolts	8	2453	2453
Q.	Volute O-ring	1	3070	3070
R.	Magnet Cup O-ring	1	2465	2465
S.	Driven Magnet	1	3627	3627
T.	Magnet Cup	1	2454	2454
U.	Drive Housing	1	3626	3626
V.	Motor Bolts (Top)	2	0579	0579
W.	Motor Bolts (Bottom)	2	3083	3083
X.	Base Plate	1	8016	8016
Y.	Drive Magnet	1		
	(5/8" Bore)		2471	2471
	Drive Magnet			
	(7/8" Bore)	1	2471-1	2471-1
AA.	Motor Shaft Key	1	2472	2472
BB ¹ .	Electric Motor	1	Specify P/N	Specify P/N
BB ² .	Power Frame	1	5478	5478



PRICE® PUMP CO.

CDSS_MD.dwg rev. C



CD100/150SSMD

Price® Pump Co.

21775 Eighth Street East * Sonoma, CA 95476-0329 * (707) 938-8441 * Fax (707) 938-0764