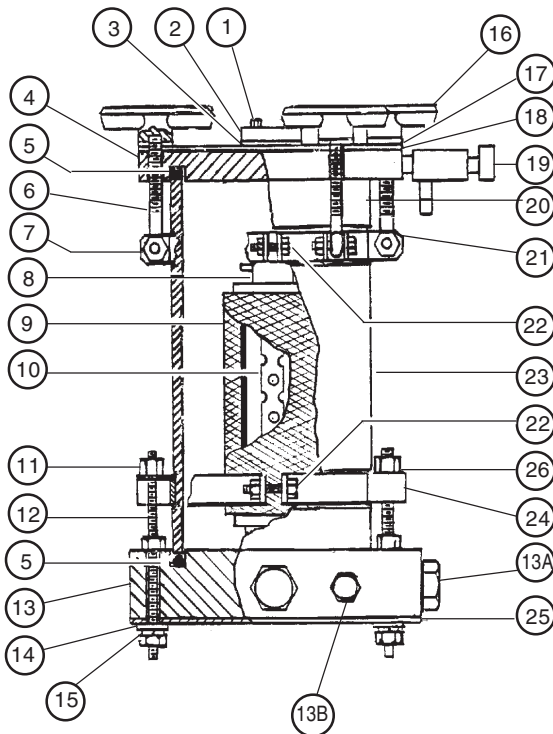


COALESCING CHAMBER



MODEL	PRICE CODE NO.
PV 1220KS-1½"	78-1370
CV 1220KS-1½" ¹	78-1371
PPPV 1220KS-1½"	78-1456

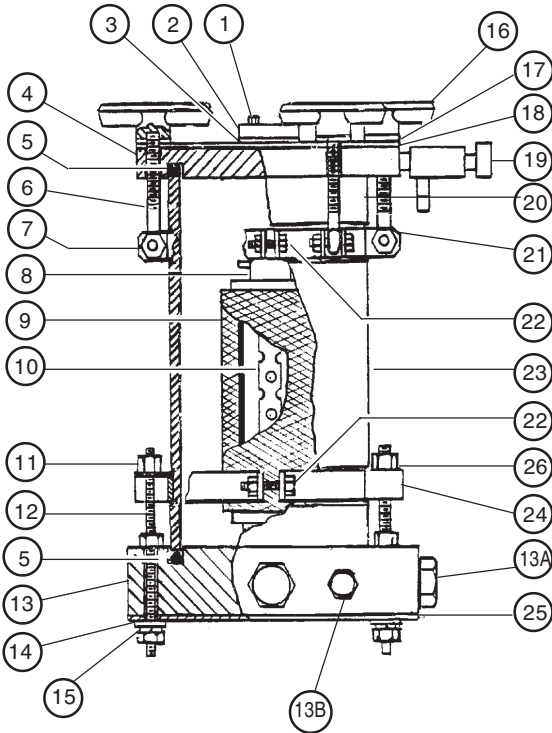
Refer to Operation and Service Guide O-420
and Master Price List F-800.



ITEM	DESCRIPTION	PRICE CODE NO.	
		PV & CV	PPPV
1	Hex bolt, ¼"-20 x 1½" long - stn. steel (6 req'd)	11-0332	
2	Hose adapter plate - CPVC - polypropylene	88-1222 -	- 88-3345
3 ²	Gasket - Hypalon®	22-0637	
4	Cover assembly - molded w/ Viton gasket (standard) w/ EPDM gasket (optional)	88-1220-1 88-1220	88-3346 88-3346-1
5 ²	Flat gasket (base & cover) - EPDM (optional) - Viton® (standard)	22-0667 22-0668	
6	Swing bolt, ½"-13 x 5¾" - stainless steel	11-0474-1	
7	Hex bolt, 3/8"-16 x 1½" - stainless steel (6 req'd) Flat washer, 3/8" size - stainless steel (12 req'd) Locknut - stainless steel w/nylon insert (6 req'd)	11-0444-1 11-0126 11-0519	
8	Cap assembly	88-1221	88-3348
9 ²	Coalescing element, K4 x 11 or K6 x 11 (standard)	Refer to Bulletin M-210-2.	
10	Dispersion tube	88-1224	88-3350
11	Hex nut, ½"-13 - stainless steel (12 req'd)	11-0106	
12	Tie rod, ½"-13 x 7½" long - stainless steel	77-0758	
13	Base assembly, molded (plugs not incl'd)	88-1063-2	88-3353
13A	Plug, 1½" NPT (2 req'd) - EPDM "O"-ring (optional) - Viton "O"-ring (standard)	33-0868-1 22-0573 22-0296	33-8081
13B	Plug, ¾" NPT - EPDM "O"-ring (optional) - Viton "O"-ring (standard)	33-0211 22-0570 22-0563	33-0155
14	Flat washer, ½" size - stainless steel (4 req'd)	11-0124	
15	Lockwasher, ½" size - stainless steel (4 req'd)	11-0343	
16	Tee handle, ½"-13 - polypropylene (6 req'd)	11-0266	
17	Flat washer, ½" size - stainless steel (6 req'd)	11-0619	
18	Cover plate - fiberglass	99-0304	
19	Vent valve assembly with "O"-ring 3/8" NPT Vent valve "O"-ring only - EPDM (optional) - Viton (standard)	33-0051 22-0683 22-0860	
20 ¹	Vinyl liner only (included w/fiberglass shell, Item 23)	99-0204	
21	Swing bolt bracket - 316 stainless steel	77-0788	
22	Hex head bolt, 3/8"-16 x 1¾" long - stainless steel (2 req'd) Flat washer, 3/8" size - stainless steel (4 req'd) Lockwasher, 3/8" size - stainless steel (2 req'd) Hex nut, 3/8"-16 - stainless steel (2 req'd)	11-0374 11-0126 11-0140 11-0105	

¹ Chamber Model CVV 1220KS-1½" with fiberglass shell manufactured prior to 3/90. Current model is CV1220KS-1½" with CPVC shell.

² Recommended spare parts.



ITEM	DESCRIPTION	PRICE CODE NO.	
		PV & CV	PPPV
23 ¹	Shell - Fiberglass w/vinyl liner	77-0829-2	-
	- CPVC	77-0017-1	-
	- PVC	77-0569-1	77-0569-1
	Shell - PVC for optional sight glass	PV 77-1527	-
24	Hold-down bracket - 316 stainless steel	77-0795-1	
25	Bottom support plate - fiberglass	77-0811	
26	Flat washer, 1/2" size - stainless steel (4 req'd)	11-0711	
The following items are for sight glass option (not shown) on PV chamber		PV	
27	Threaded close nipple, 1/2" CPVC (2 req'd)	33-0197	
28	Threaded flange, 1/2" CPVC (2 req'd)	22-0517	
29	Hex head bolt, 1/2" - 13 x 1 1/2" (SS) (8 req'd)	11-0347	
30	Nut, 1/2" - 13, SS (8 required)	11-0255	
31	Washer, 1/2" SS (16 required)	11-0124	
32	Lockwasher, 1/2" SS (8 required)	11-0343	
33	Sight glass assembly, CPVC	88-3285	
34	Flange gasket, EPDM (2 required)	22-0517	

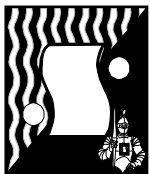
- ¹ Chamber Model CVV 1220KS-1 1/2" with fiberglass shell manufactured prior to 3/90. Current model is CV1220KS-1 1/2" with CPVC shell.
² Recommended spare parts.

© Viton and Hypalon are Registered Trademarks of DuPont Dow Elastomers.

F.O.B. Northbrook, Illinois

Terms: Net 30 Days

Minimum order \$25.00



SERFILCO[®], LTD.

2900 MacArthur Blvd. 847-509-2900
 Northbrook, IL 60062-2005 U.S.A. 800-323-5431
 e-mail: sales@serfilco.com FAX: 847-559-1995
 www.serfilco.com

WESTERN

13721 Alma Avenue 310-532-0801
 Gardena, CA 90249-2513 FAX: 310-532-0866