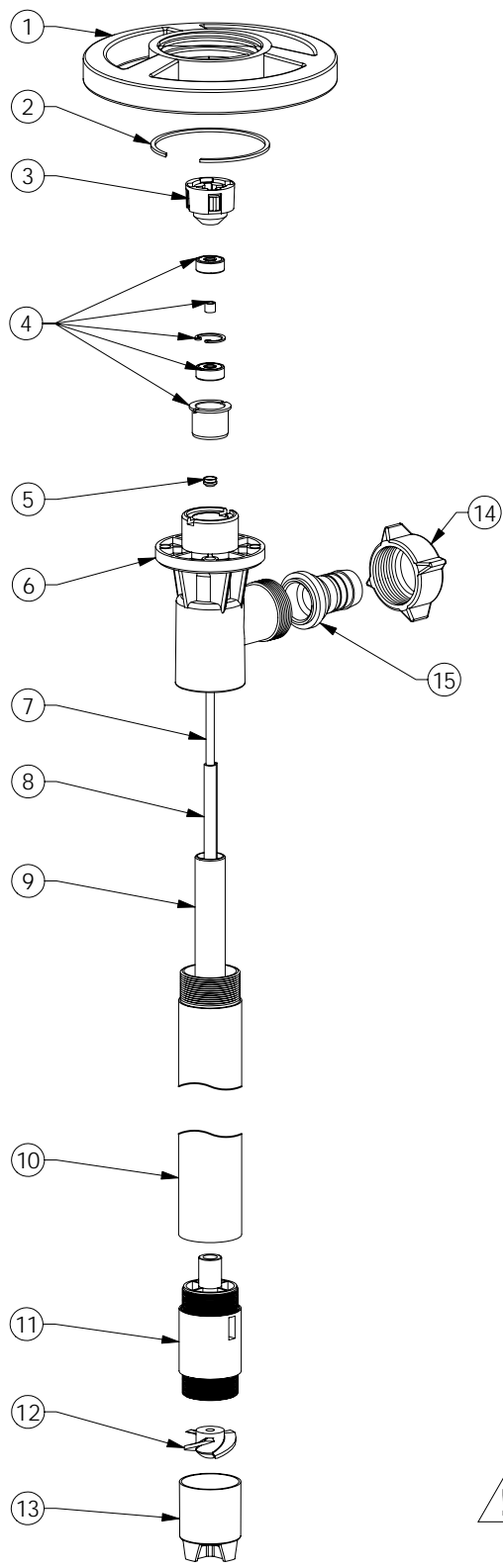


# SERIES 'DP' DRUM PUMP

PARTS LIST  
P-1026L  
09/12/05



PVDF		PP	
MODEL	PRICE CODE	MODEL	PRICE CODE
KY8327-1	52-4004	PP8327-1	52-1008
KY8339-1	52-4000	PP8339-1	52-1000
KY8347-1	52-4001	PP8347-1	52-1001
KY8360-1	52-4002	PP8360-1	52-1003
KY8372-1	52-4003	PP8372-1	52-1005

For high head pump add H to model and price no.

NO	DESCRIPTION	PART NUMBERS		
		PVDF	PP	
1	Hand wheel -polypropylene	52-1842		
2	Snap ring- carbon steel	52-1508		
3 <sup>1</sup>	Coupling assembly- nylon	52-1004		
4 <sup>1</sup>	Bearing unit assembled, 2 Viton Sealed bearings, spacer, bearing can, snap-ring	52-1038		
5	V-seal	-PTFE -VITON®	52-4029 - 55-7081	
6	Discharge housing	52-4028	52-1028	
7	Drive shaft Hastelloy C 276	-27"	52-1543	
		-39"	52-1544	
		-47"	52-1545	
		-60"	52-1546	
		-72"	52-1547	
8	Guide sleeve PTFE	-27"	52-1513	
		-39"	52-1514	
		-47"	52-1515	
		-60"	52-1613	
		-72"	52-1614	
9	Inner tube	-27"	52-4600	52-1600
		-39"	52-4601	52-1601
		-47"	52-4602	52-1602
		-60"	52-4615	52-1615
		-72"	52-4616	52-1616
10	Outer Tube	-27"	52-4604	52-1604
		-39"	52-4603	52-1603
		-47"	52-4605	52-1605
		-60"	52-4617	52-1617
		-72"	52-4618	52-1618
11 <sup>1</sup>	Pump housing w/carbon bushing	52-4607	52-1524	
12	Rotor	-high flow (std.) -high head tefzel	52-4608 52-2706-HH	52-1608
	13	Pump foot	52-4609	52-1609
-high head			52-4609-HH	52-1609-HH
14	Wing nut	52-4106	52-1106	
15	Hose barb	-3/4" (optional)	52-4051	52-1051
		-1" (standard)	52-4082	52-1082

1. Recommended replacement parts.
2. NOTE: Items 10,11 & 13 have left hand threads

**!** DO NOT USE PLASTIC FOR PUMPING FLAMMABLES

Bulletin	P-402
Operation & Service Guide	O-176
Price List	F-800

F.O.B Northbrook, Illinois

Terms: Net 30 Days

Minimum order \$25.00



# SERFILCO, LTD.

2900 MacArthur Blvd.  
Northbrook, IL 60062 U.S.A.  
Email: Sales@SERFILCO.com  
Web: WWW.SERFILCO.COM

(800) 323-5431  
(847) 509-2900  
Fax: (847) 559-1995