



# SERFILCO®

Chemical resistant pumps & filters engineered for industry

## SERIES 'EH' | VERTICAL PUMPS

Pump has no bearings  
Can run dry indefinitely

**Chemical Duty Motor (1.0-7.5 Hp.)**

Sealed oversized bearings, cast iron end bells, corrosion resistant epoxy coating, & stainless steel nameplate.

**185 U.S. GPM or 145 ft. TDH @ 60Hz**

**PTFE shaft vapor seal**  
Protects motor bearing from atmosphere

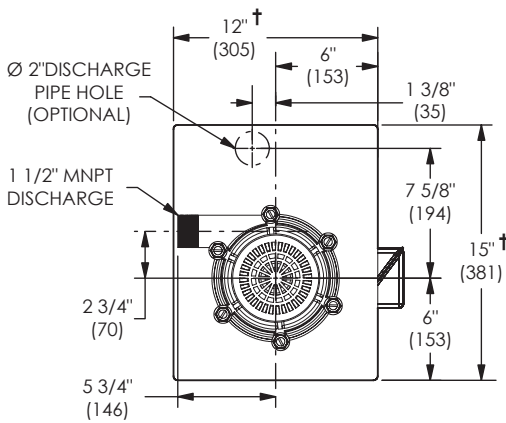
**In or out-of-tank**

**Choice of 12" or 18" column**

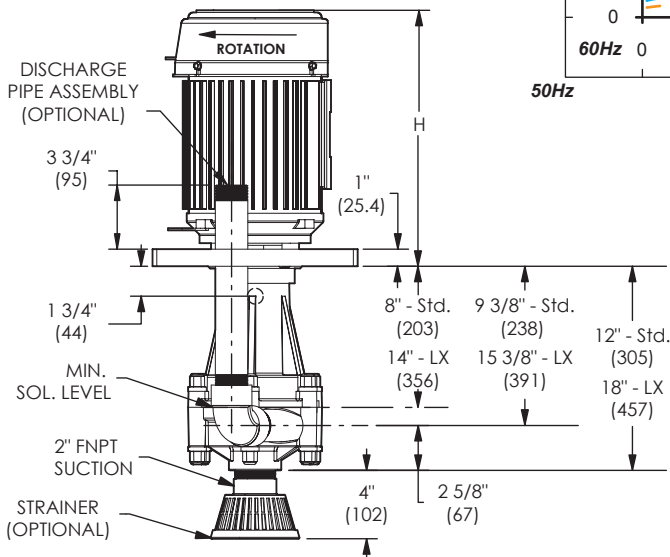
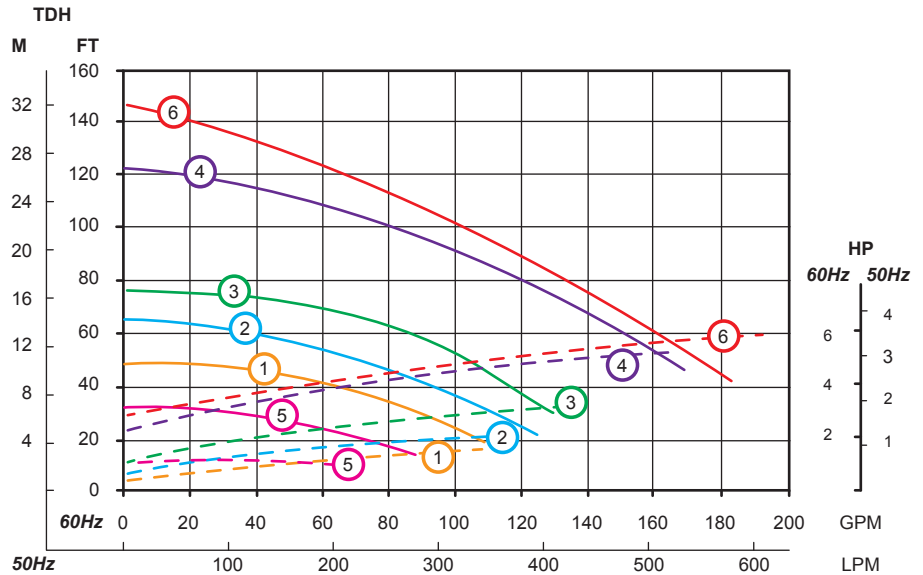
**Non-metallic solution contact**  
High-temp PP, CPVC, PVDF, or ECTFE-T  
(See chemical resistance guide T-102)

**Centrifugal**  
Quiet & vibration free.

Shown w/ Optional Mounting Plate Hole and Discharge Pipe Assy.



† 12" x 15" (CPVC, PP & ECTFE-T)  
11-3/4" x 11-3/4" (PVDF)



Voltage	HP (kW)	Dimensions: in. (mm)	
		H	
208-230/460/3/60, 3450 rpm 190/380/3/50, 2850 rpm	1.0 (.75)	12.5 (317)	
	1.5 (1.1)	14.86 (378)	
	2.0 (1.5)	14.86 (378)	
	3.0 (2.2)	14.86 (378)	
	5.0 (3.7)	14.86 (378)	
208-230/460/3/60, 1725 rpm 190/380-415/3/50, 1450 rpm	1.5 (1.1)	12.19 (310)	
	1.5 (1.1)	13.5 (343)	
115/208-230/1/60, 3450 rpm 190-230/1/50, 2850 rpm	1.5 (1.1)	13.5 (343)	
	1.5 (1.1)	11.5 (292)	
115/208-230/1/60, 1725 rpm 190-230/1/50, 1450 rpm	1.5 (1.1)	11.5 (292)	
	1.5 (1.1)	11.5 (292)	

Dimensions are for reference only.  
\* Motor dimensions will vary with motor manufacturer.



# SERIES 'EH' | VERTICAL PUMPS

## ORDER INFORMATION

For standard pump-motor combination, select model from table below.  
Select flow curve number providing the desired performance. Then match to Model # listed below. Standard models include: EPDM elastomers (CPVC,PP, ECTFE) & FKM (PVDF)  
Motor HP is non-overloading at full capacity with 1.1 specific gravity.

Standard 60 Hz Models								
Flow Curve	Model #	PCN	Model #	PCN	Model #	PCN	Model #	PCN
	CPVC/EPDM		PP/EPDM		PVDF/FKM		ECTFE/EPDM	
1	EH1-1/2-1SC-D1.5	45-0112	EHP1-1/2-1SC-D1.5	45-0612-L	EHK1-1/2-1SC-D1.5	45-0712	EHH1-1/2-1SC-D1.5	45-1912
2	EH1-1/2-2SC-D2.0	45-0123	EHP1-1/2-2SC-D2.0	45-0623-L	EHK1-1/2-2SC-D2.0	45-0723	EHH1-1/2-2SC-D2.0	45-1923
3	EH1-1/2-3SC-D3.0	45-0134	EHP1-1/2-3SC-D3.0	45-0634-L	EHK1-1/2-3SC-D3.0	45-0734	EHH1-1/2-3SC-D3.0	45-1934
4	EH1-1/2-4SC-D5.0	45-0145	EHP1-1/2-4SC-D5.0	45-0645-L	EHK1-1/2-4SC-D5.0	45-0745	EHH1-1/2-4SC-D5.0	45-1945
5	EH1-1/2-5SC-H1.5	45-0159	EHP1-1/2-5SC-H1.5	45-0659-L	EHK1-1/2-5SC-H1.5	45-0759	EHH1-1/2-5SC-H1.5	45-1959
6	EH1-1/2-5SC-D7.5	45-0156	EHP1-1/2-5SC-D7.5	45-0656-L	EHK1-1/2-5SC-D7.5	45-0756	EHH1-1/2-5SC-D7.5	45-1956
Standard 50 Hz Models								
1	EH1-1/2-1SC-D1.0	45-0111	EHP1-1/2-1SC-D1.0	45-0611-L	EHK1-1/2-1SC-D1.0	45-0711	EHH1-1/2-1SC-D1.0	45-1911
2	EH1-1/2-2SC-D1.5	45-0122	EHP1-1/2-2SC-D1.5	45-0622-L	EHK1-1/2-2SC-D1.5	45-0722	EHH1-1/2-2SC-D1.5	45-1922
3	EH1-1/2-3SC-D2.0	45-0133	EHP1-1/2-3SC-D2.0	45-0633-L	EHK1-1/2-3SC-D2.0	45-0733	EHH1-1/2-3SC-D2.0	45-1933
4	EH1-1/2-4SC-D3.0	45-0144	EHP1-1/2-4SC-D3.0	45-0644-L	EHK1-1/2-4SC-D3.0	45-0744	EHH1-1/2-4SC-D3.0	45-1944
5	EH1-1/2-5SC-H1.5	45-0159	EHP1-1/2-5SC-H1.5	45-0659-L	EHK1-1/2-5SC-H1.5	45-0759	EHH1-1/2-5SC-H1.5	45-1959
6	EH1-1/2-5SC-D5.0	45-0155	EHP1-1/2-5SC-D5.0	45-0655-L	EHK1-1/2-5SC-D5.0	45-0755	EHH1-1/2-5SC-D5.0	45-1955

\*For custom pump-motor combinations, please consult Serfilco Sales Department. (800) 323 - 5431  
Refer to Technical Bulletin T-P-301

## EXTENDED COLUMN MODELS

To add the extended column, remove 45-01, 45-06, or 46-07, and replace PCN with material type below.

MATERIAL	MODEL	PCN
CPVC - 18"	EHLX 1-1/2	45-09
POLYPROPYLENE - 18"	EHPLX 1-1/2	45-13
PVDF - 18"	EHKLX 1-1/2	45-14

## OPTIONS

Description	Add Suffix to Model	Add to PCN
For 575V motor	-575	-575
Viton 'O'-rings:	-V	-V
CPVC & ECTFE pumps Polypropylene pumps	remove '-L' from PCN	
EPDM 'O'-rings for PVDF pumps	-L	-L
PVDF impeller & shaft sleeve for CPVC pump. For continuous operation over 180° F	-K	-K
Titanium - shaft & fasteners	-T	-T
Through hole - standard mounting plate Ø2"	-MPH	-H
Discharge pipe assembly 1-1/2" NPT, for 12" or 18" pump, CPVC	-DPA	45-0161
For 18" discharge pipe assembly - add X to PCN	PVDF -DPAK PP -DPAP SS (For ECTFE-T) -DPAS	45-0161-K 45-0161-P 45-0161-S
Suction strainer w/ close nipple, 2" NPT	PE/CPVC PE/PP Halar/PVDF Halar/SS	45-0162 45-0162-PP 45-0162-HK 45-0162-HS
Suction extension, 24" x 2" NPT	CPVC -SX PVDF -SXX PP -SXP	45-0163 45-0163-K 45-0163-P