

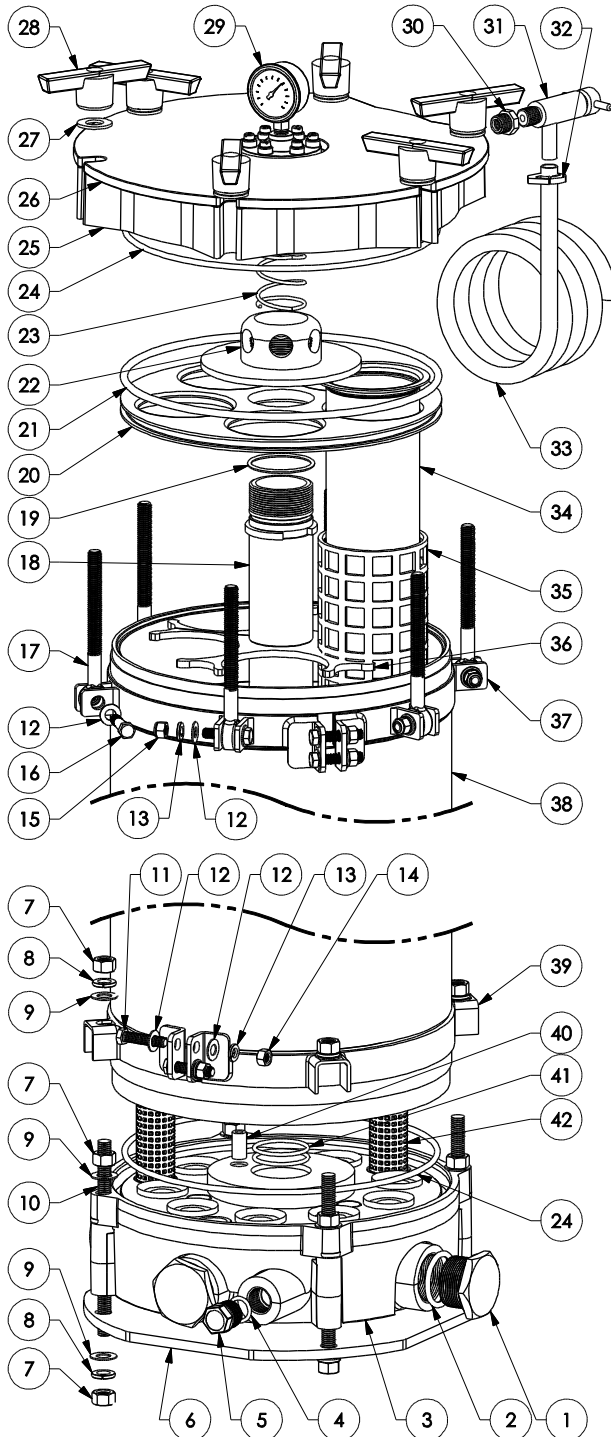
**SERFILCO®**

# Series 'G' Bag | Filter Chambers

2900 MacArthur Blvd. Northbrook, IL. USA 60062 WWW.SERFILCO.COM (800) 323-5431

**PARTS LIST**  
P-5470\_B  
09/20/17  
Page 1 of 1

SIZE	CPVC MODEL	PRICE NO.	PP MODEL	PRICE NO.	PVC MODEL	PRICE NO.
30"	CL1230BFS-1-1/2-G3A	78-1733-C	PPL1230BFS-1-1/2-G3A	78-1733-PP	PL1230BFS-1-1/2-G3A	78-1733-P
50"	CL1250BFS-1-1/2-G3A	78-1735-C	PPL1250BFS-1-1/2-G3A	78-1735-PP	PL1250BFS-1-1/2-G3A	78-1735-P



NO	DESCRIPTION	QTY	CPVC	PP
1	Plug 1 1/2NPT CPVC	2	33-0868	33-0868-PP
2	O-Ring EPDM FKM		22-2327	22-2327-V
3	Base 1 1/2 NPT	1	88-1633-C	88-1633-PP
4	O-Ring EPDM FKM		22-0570	22-0563
5	Plug 3/4NPT CPVC	1	33-0211	33-0211-PP
6	Bottom Plate SS	1	77-0811-SS	
7	Hex Nut 1/2"-13 SS	12	11-0106	
8	Lock Washer 1/2" SS	8	11-0343	
9	Flat Washer 1/2" SS	12	11-0711	
10	Tie Rod 1/2-13x8" SS	4	77-1210	
11	Bolt 3/8-16x1-3/4" SS	4	11-0374	
12	Flat Washer SS	20	11-0126	
13	Lock Washer SS	4	11-0140	
14	Hex Nut 3/8 SS	4	11-0105	
15	Hex Nut, Nyloc 3/8 SS	6	11-0519	
16	Bolt 3/8-16x1-5/8" SS	6	11-0444-1	
17	Swing Bolt SS	6	11-0474-1	
18	Post Assembly 30" 50"	1	88-3602-3C 88-3602-5C	88-3602-3PP 88-3602-5PP
19	O-Ring EPDM FKM	1	22-2228	22-2228-V
20	Bag Holding Plate	1	88-3603-C	88-3603-PP
21	O-Ring EPDM FKM	1	22-2452	22-2452-V
22	Press Down Nut CPVC	1	88-3650-C	88-3650-PP
23	Spring PVC	1	77-0301-1	
24	O-Ring EPDM FKM	2	22-0876 22-0877	22-0930 22-0930-V
25	Cover CPVC	1	88-1620-C	88-1620-PP
26	Top Support Plate SS	1	99-0303-SS	
27	Washer Flat SS	6	11-0619	
28	Tee Handle PP	6	11-0266	
29	Gauge Assembly G3 EPDM FKM	1	99-0732	99-0732-V
30	Reducing Bushing	1	-	33-1268-PP
31	Vent Valve CPVC	1	33-0051	33-8108-PP
32	Clamp Hose Nylon	1	22-0911	22-0912
33	Hose PVC	8'	22-0444	22-0913
34	Filter Bag	5	See Bulletin C-308	
35	Rigid Tube PP	5	88-3606-3PP	88-3606-5PP
36	Separator Plate PP	1	88-3604-PP	
37	Swing Bolt Bracket SS	1	77-0788	
38	Shell 30" 50" 30" PVC 50" PVC	1	88-3601-3C 88-3601-5C 88-3601-3P 88-3601-5P	88-3601-3PP 88-3601-5PP - -
39	Hold Down Bracket SS	1	77-0795-1	
40	Pipe 1/4"x9/16" CPVC	1	33-0226	
41	O-Ring EPDM FKM	2	22-0340	22-0802
42	Strainer Tube PP	2	88-3663	

Product Bulletin:	C-308
Operation and Service Guide:	O-0623