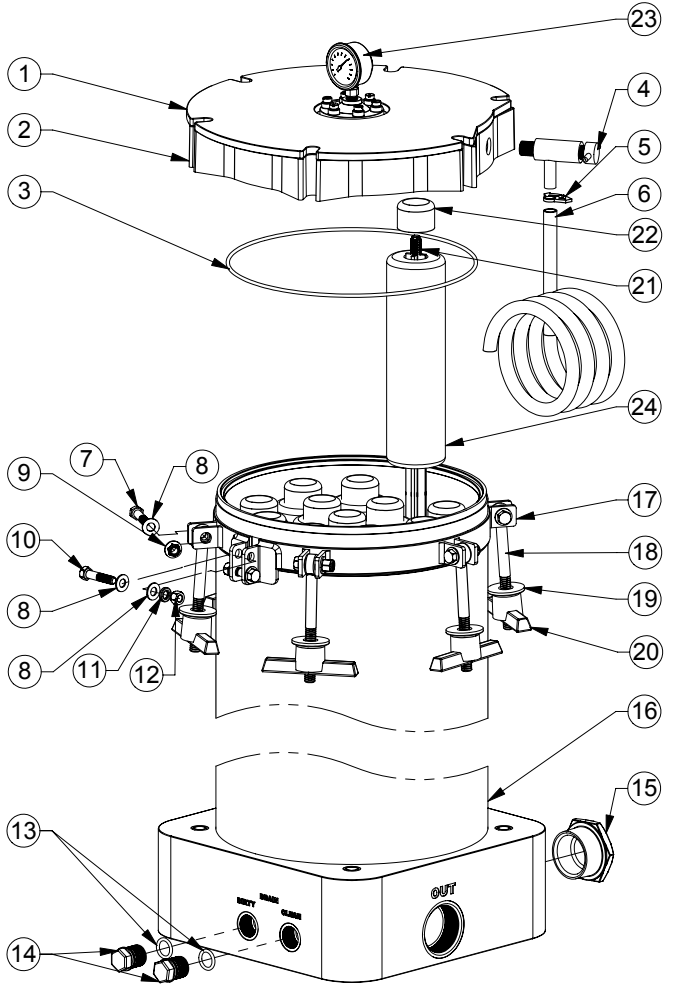


# SERIES 'GC' FILTER CHAMBER

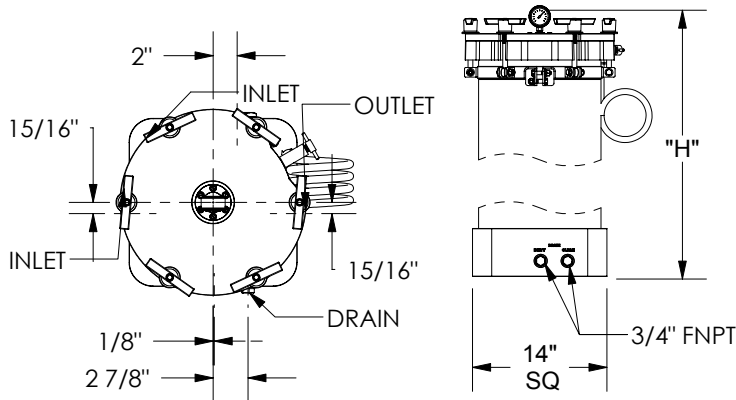
CHAMBERS MANUFACTURED AFTER JAN. 2006

PARTS LIST  
P-5526\_A  
08/03/12

MODEL	PRICE CODE	MODEL	PRICE CODE
PL240(2)SC 2 G3A	78-1671-P	CL240(2)SC 2 G3A	78-1671-C
PL360(3)SC 2 G3A	78-1672-P	CL360(3)SC 2 G3A	78-1672-C
PL480(4)SC 2 G3A	78-1673-P	CL480(4)SC 2 G3A	78-1673-C
PL600(5)SC 2 G3A	78-1674-P	CL600(5)SC 2 G3A	78-1674-C



NO	DESCRIPTION	QTY	PART NO.
1	Top Support Plate -FRP	1	99-0303
2	Cover (for O-ring) -CPVC	1	88-1620-C
3	O-Ring -EPDM -VITON	1	22-0876 22-0877
4	Vent Valve -CPVC	1	33-0051
5	Hose Clamp, 5/8"	1	22-0911
6	Hose, 1/2"x5/8"	8'	22-0444
7	Bolt, 3/8"-16 x 1 5/8 -SS	6	11-0444-1
8	Flat Washer, 3/8" -SS	6	11-0126
9	Nut Nylock, 3/8"-16 -SS	6	11-0519
10	Bolt, 3/8"-16x1 3/4 -SS	2	11-0374
11	Lock Washer, 3/8" -SS	2	11-0140
12	Nut, 3/8"-16 -SS	2	11-0105
13	O-Ring -EPDM -VITON	2	22-0570 22-0563
14	Plug, 3/4"NPT -CPVC	2	33-0211
15	Plug, 2" NPT -CPVC	1	33-0869
16	Shell/Base Assembly	1	CL240 -CPVC 88-3491-2C PL240 -PVC 88-3491-2P CL360 -CPVC 88-3491-3C PL360 -PVC 88-3491-3P CL480 -CPVC 88-3491-4C PL480 -PVC 88-3491-4P CL600 -CPVC 88-3491-5C PL600 -PVC 88-3491-5P
17	Swing Bolt Bracket -316 SS	1	77-0788
18	Swing Bolt, 1/2"-13 x 5 3/4 -SS	6	11-0474-1
19	Flat Washer, 1/2" -SS	6	11-0619
20	Tee Handle, 1/2"-13 -PP	6	11-0266
21	Cross Post Threaded	12	240 -CPVC 88-1602-PP 360 88-1603-PP 480 88-1604-PP 600 88-1605-PP
22	Hold Down Cap -PP	12	77-1590-PP
23	Gauge Guard Type G3	1	99-0732
24	Filter Cartridge (see bulletin)	12	M-109



MODEL	H
240 (2)	30 11/16"
360 (3)	40 11/16"
480 (4)	50 11/16"
600 (5)	60 11/16"

Bulletin	C-113
----------	-------



# SERFILCO, LTD.

2900 MacArthur Blvd.  
Northbrook, IL 60062 U.S.A.  
Email: Sales@SERFILCO.com  
Web: WWW.SERFILCO.COM

(800) 323-5431  
(847) 509-2900  
Fax: (847) 559-1995