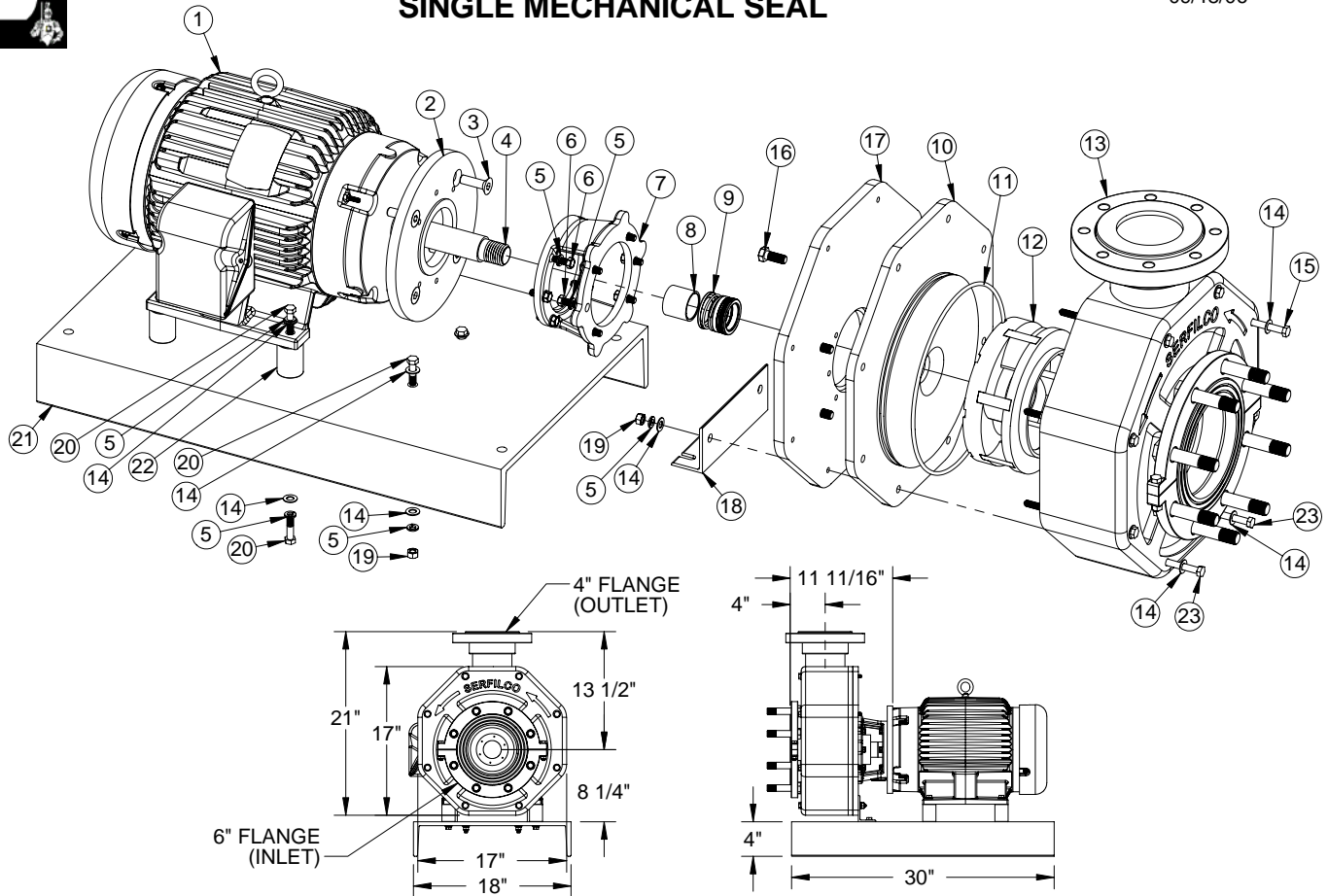




# SERIES 'HA' HORIZONTAL PUMP HA 6 x 4F x 10 SINGLE MECHANICAL SEAL

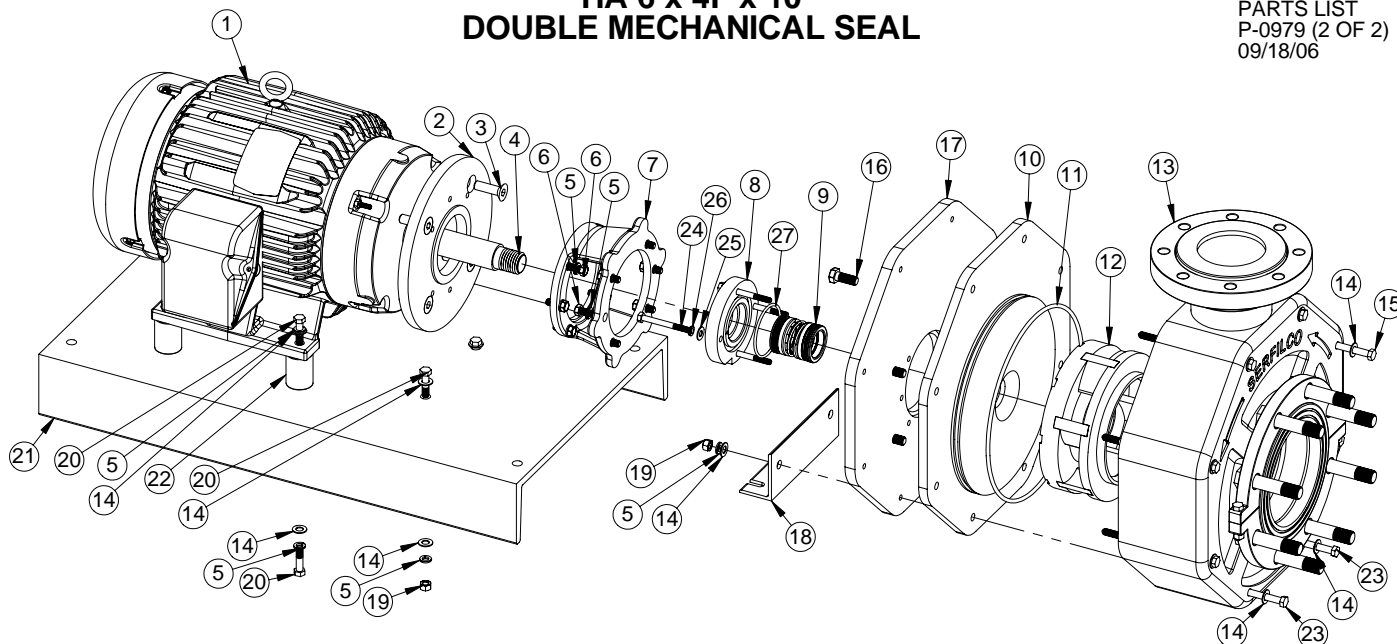
PARTS LIST  
P-0979 (1 OF 2)  
09/18/06



NO.	DESCRIPTION	QTY.	CT9	CT10	CT11	CT12
			15 HP 66-1379-A	20 HP 66-1377-A	25 HP 66-1388-A	30 HP 66-1374-A
1	MOTOR, 1760 RPM	1	44-7590		44-7590-1	
2	BRACKET ,ADAPTER ,,CAR ST	1		11-0407		
3	BOLT,FLAT HD.,1/2"-13 X 1",SS	4		44-7591		
4	SHAFT ,MOTOR ,,TI SHAFT,MOTOR, HAST C	1		44-7591-1		
5	WASHER,LOCK,3/8",SS	24		11-0140		
6	BOLT,HEX HD,3/8-16 X 1" ,SS	12		11-0375		
7	BRACKET ,MOTOR CONNECTING ,,CAST IRON	1		44-2683-2		
8	SPACER ,SINGLE SEAL SHAFT ,,SS	1		44-7642		
9	SEAL,SINGLE MECHANICAL V(M8),,VITON, SILICON CARBIDE 304 SS.	1		55-0484		
	SEAL,SINGLE MECHANICAL. L(M8),,EPDM, SILICON CARBIDE 304 SS.		55-0516			
	SEAL,SINGLE MECHANICAL. V(M2),,VITON, CARBON 304 SS. CERAMIC		55-0481			
	SEAL,SINGLE MECHANICAL. L(M1),,EPDM, CARBON 304 SS. CERAMIC		55-0482			
10	PLATE,CASING SUPPORT,,CPVC	1		44-7741		
11	O-RING, EPDM	1		22-2379		
	O-RING, VITON		22-2379-V			
12	IMPELLER	1	8 1/2" DIA	9" DIA	9 1/2" DIA	10 1/8" DIA
	CPVC / TITANIUM		44-7724-3	44-7724-2	44-7724-1	44-7724
	CPVC / HAST C		44-7724-3H	44-7724-2H	44-7724-1H	44-7724-H
13	CASING,6 x 4 ANSI PUMP,,CPVC	1		44-7690		
14	WASHER,FLAT,3/8",SS	22		11-0126		
15	BOLT,HEX HD,3/8"-16 X 7" LNG.,SS	6		11-2189		
16	BOLT,HEX HD,1/2"-13 X 1-1/4" LNG.,SS	4		11-2188		
17	PLATE ,CASING ADAPTER ,,C.S.	1		44-7692		
18	BRACKET,"L" CHANNEL,2 X 3 X 3/16" ,ST	1		66-7039-1		
19	NUT,HEAVY HEX HD,3/8-16,SS	4		11-0105		
20	BOLT,HEX HD,3/8-16x1 1/2",SS	10		11-0444		
21	BASE ,18 X 30 ,,ST	1		77-1433-5		
22	FOOT,MOTOR,,SS	4	66-1421		66-1421-3	
23	BOLT,HEX HD,3/8"-16 X 7 1/2" LNG.,SS	2		11-3027		

# SERIES 'HA' HORIZONTAL PUMP HA 6 x 4F x 10 DOUBLE MECHANICAL SEAL

PARTS LIST  
P-0979 (2 OF 2)  
09/18/06



NO.	DESCRIPTION	QTY.	CT9	CT10	C11	CT12
			15 HP 66-1379-A	20 HP 66-1377-A	25 HP 66-1388-A	30 HP 66-1374-A
1	MOTOR, 1760 RPM	1	44-7590			
2	BRACKET ,ADAPTER ,,CAR ST	1	44-7590-1			
3	BOLT,FLAT HD.,1/2"-13 X 1",SS	4	11-0407			
4	SHAFT ,MOTOR ,,TI	1	44-7591			
4	SHAFT ,MOTOR , HAST C	1	44-7591-1			
5	WASHER,LOCK,3/8",SS	24	11-0140			
6	BOLT,HEX HD,3/8-16 X 1" ,SS	12	11-0375			
7	BRACKET ,MOTOR CONNECTING ,,CAST IRON	1	44-2683-2			
8	BACKPLATE,MECH SEAL ,,CPVC	1	44-6250			
9	SEAL,DOUBLE MECHANICAL. V(M8 X M1),,VITON/EPDM, SILICON CARBIDE 304 SS.	1	55-0470			
	SEAL,DOUBLE MECHANICAL. L(M8 X M1),,EPDM/EPDM, SILICON CARBIDE 304 SS.		55-0517			
	SEAL,DOUBLE MECHANICAL. V(M2 X M1),,VITON/EPDM, CARBON 304 SS. CERAMIC		55-0488			
	SEAL,DOUBLE MECHANICAL. L(M1 X M1),,EPDM/EPDM, CARBON 304 SS. CERAMIC		55-0489			
10	PLATE,CASING SUPPORT,,CPVC	1	44-7741			
11	O-RING, EPDM	1	22-2379			
	O-RING, VITON		22-2379-V			
12	IMPELLER	1	8 1/2" DIA	9" DIA	9 1/2" DIA	10 1/8" DIA
	CPVC / TITANIUM		44-7724-3	44-7724-2	44-7724-1	44-7724
	CPVC / HAST C		44-7724-3H	44-7724-2H	44-7724-1H	44-7724-H
13	CASING,6 x 4 ANSI PUMP,,CPVC	1	44-7690			
14	WASHER,FLAT,3/8",SS	22	11-0126			
15	BOLT,HEX HD,3/8"-16 X 7" LNG.,SS	6	11-2189			
16	BOLT,HEX HD,1/2"-13 X 1-1/4" LNG.,SS	4	11-2188			
17	PLATE ,CASING ADAPTER ,,C.S.	1	44-7692			
18	BRACKET,"L" CHANNEL,2 X 3 X 3/16" ,ST	1	66-7039-1			
19	NUT,HEAVY HEX HD,3/8-16,SS	4	11-0105			
20	BOLT,HEX HD,3/8-16x1 1/2",SS	10	11-0444			
21	BASE ,18 X 30 ,,ST	1	77-1433-5			
22	FOOT,MOTOR,,SS	4	66-1421	66-1421-3		
23	BOLT,HEX HD,3/8"-16 X 7 1/2" LNG.,SS	2	11-3027			
24	BOLT,HEX HD,5/16-18X3",SS	4	11-0313			
25	WASHER,FLAT,5/16",SS	4	11-0122			
26	WASHER,LOCK ,5/16",SS	4	11-0355			
27	O-RING,EPDM	1	22-0567			

F.O.B Northbrook, Illinois

Terms: Net 30 Days

Minimum order \$50.00



## SERFILCO, LTD.

2900 MacArthur Blvd.  
Northbrook, IL 60062 U.S.A.  
Email: Sales@SERFILCO.com  
Web: WWW.SERFILCO.COM

(800) 323-5431  
(847) 509-2900  
Fax: (847) 559-1995

BULLETIN	P-207
Operation & Service Guide	O-0121