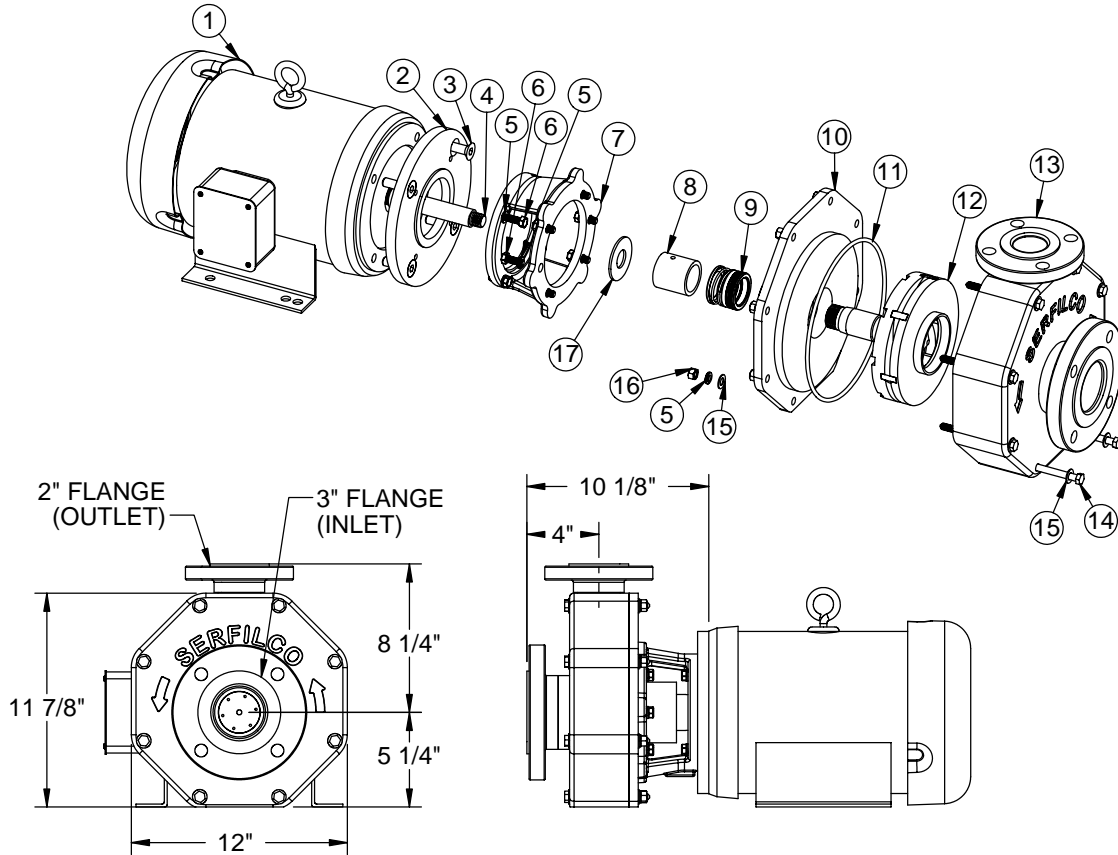




SERIES 'HA' HORIZONTAL PUMP HA 3 x 2F x 6 SINGLE MECHANICAL SEAL

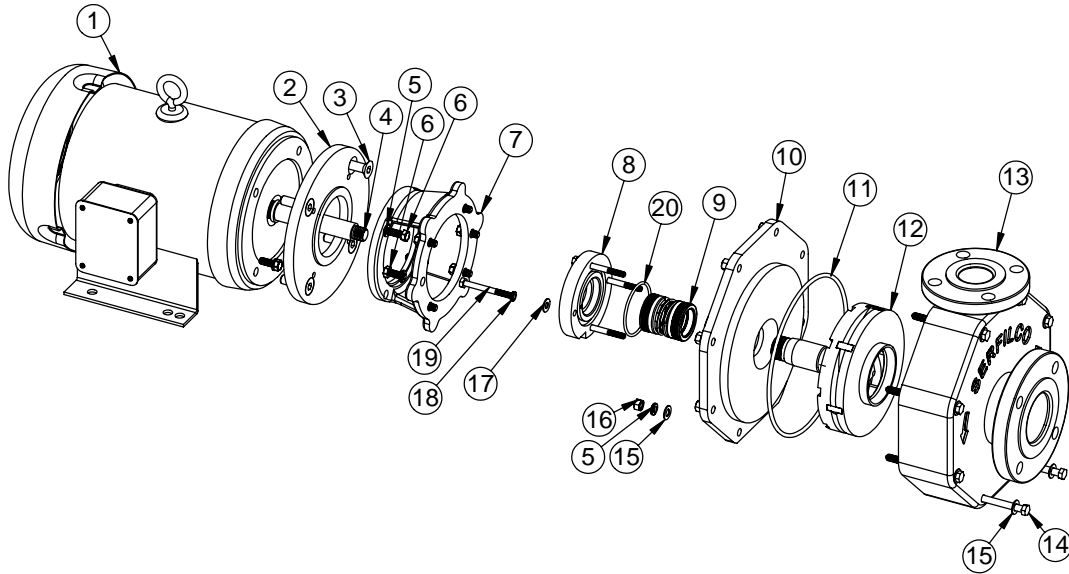
PARTS LIST
P-0976
2/2/2007
(1 OF 2)



NO	DESCRIPTION	QTY	C1	C2	C3
1	MOTOR, 5 HP, 1725 RPM 208-230/460/3/60 184 TCZ,	1	66-1355-A		
	MOTOR, 10 HP, 3450 RPM 208-230/460/3/60 215 TCZ,			66-1353-A	
	MOTOR, 15 HP, 3450 RPM 208-230/460/3/60 215 TCZ,				66-1354-A
2	PLATE, MOTOR ADAPTER, CAR ST	1		44-6249	
3	BOLT, FLAT HD., 1/2"-13 X 1"	4		11-0407	
4	SHAFT, MOTOR, SS	1		44-7439	
5	WASHER, LOCK, 3/8"	18		11-0140	
6	BOLT, HEX HD, 3/8-16 X 1" SS	10		11-0375	
7	BRACKET, MOTOR CONNECTION, CAST IRON	1		44-6244-1	
8	SPACER, MECHANICAL SEAL,	1		44-7056	
9	SEAL, SINGLE MECHANICAL V(M8), VITON, SILICON CARBIDE SS.	1		55-0484	
	SEAL, SINGLE MECHANICAL. L(M8), EPDM, SILICON CARBIDE SS.			55-0516	
	SEAL, SINGLE MECHANICAL. V(M2), VITON, CARBON SS. CERAMIC			55-0481	
	SEAL, SINGLE MECHANICAL. L(M1), EPDM, CARBON SS. CERAMIC			55-0482	
10	PLATE, CASING SUPPORT ASSY., CPVC	1		44-7656	
11	O-RING, VITON	1		22-2373-V	
	O-RING, EPDM			22-2373	
12	IMPELLER, W/SLEEVE, ϕ 7 1/4" CPVC	1	44-7441		
	IMPELLER, W/SLEEVE, ϕ 5 1/2" CPVC			44-7368	
	IMPELLER, W/SLEEVE, ϕ 6 1/4" CPVC				44-7440
13	CASING, 3" X 2" HA PUMP SUCTION, CPVC	1	44-7707	44-7662	
14	BOLT, 3/8-16 X 4 1/2" LNG. SS	8		11-2064	
15	WASHER, FLAT, 3/8" SS	16		11-0126	
16	NUT, HEX, 3/8-16 SS	8		11-0105	
17	WASHER, FLAT, 2 1/2" O.D. X 1 1/16" ID SS	1		11-0607	

NOTE: THE PART NUMBER OF THE REPAIR PAC IS OBTAINED BY ADDING "RP" AS A SUFFIX TO THE PRICE CODE NUMBER OF THE PUMP (i.e., less motor)

SERIES 'HA' HORIZONTAL PUMP HA 3 x 2F x 6 DOUBLE MECHANICAL SEAL

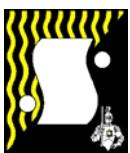


NO	DESCRIPTION	QTY	C1	C2	C3
1	MOTOR,5 HP, 1725 RPM 208-230/460/3/60 184 TCZ,	1	66-1355-A		
	MOTOR,10 HP, 3450 RPM 208-230/460/3/60 215 TCZ,			66-1353-A	
	MOTOR,15 HP, 3450 RPM 208-230/460/3/60 215 TCZ,				66-1354-A
2	PLATE,MOTOR ADAPTER, CAR ST	1		44-6249	
3	BOLT,FLAT HD.,1/2"-13 X 1"	4		11-0407	
4	SHAFT ,MOTOR , SS	1		44-7439	
5	WASHER,LOCK,3/8"	18		11-0140	
6	BOLT,HEX HD,3/8-16 X 1" SS	10		11-0375	
7	BRACKET ,MOTOR CONNECTION, CAST IRON	1		44-6244-1	
8	BACKPLATE,MECH SEAL , CPVC	1		44-6250	
9	SEAL,DOUBLE MECHANICAL. V(M8 X M1), VITON/EPDM, SILICON CARBIDE SS.	1		55-0470	
	SEAL,DOUBLE MECHANICAL. L(M8 X M1), EPDM/EPDM, SILICON CARBIDE SS.			55-0517	
	SEAL,DOUBLE MECHANICAL. V(M2 X M1), VITON/EPDM, CARBON SS. CERAMIC			55-0488	
	SEAL,DOUBLE MECHANICAL. L(M1 X M1), EPDM/EPDM, CARBON SS. CERAMIC			55-0489	
10	PLATE ,CASING SUPPORT ASSY., CPVC	1		44-7656	
11	O-RING, VITON	1		22-2373-V	
	O-RING, EPDM			22-2373	
12	IMPELLER,W/SLEEVE , Ø 7 1/4" CPVC	1	44-7441		
	IMPELLER,W/SLEEVE , Ø 5 1/2" CPVC			44-7368	
	IMPELLER,W/SLEEVE , Ø 6 1/4" CPVC				44-7440
13	CASING ,3" X 2" HA PUMP SUCTION, CPVC	1	44-7707	44-7662	
14	BOLT ,3/8-16 X 4 1/2" LNG. SS	8		11-2064	
15	WASHER,FLAT,3/8" SS	16		11-0126	
16	NUT,HEX ,3/8-16 SS	8		11-0105	
17	WASHER,FLAT,5/16" SS	4		11-0122	
18	WASHER,LOCK ,5/16"	4		11-0355	
19	BOLT ,5/16-18X3" SS	4		11-0313	
20	O-RING,EPDM,	1		22-0567	

F.O.B Northbrook, Illinois

Terms: Net 30 Days

Minimum order \$50.00



SERFILCO, LTD.

2900 MacArthur Blvd.
Northbrook, IL 60062 U.S.A.
Email: Sales@SERFILCO.com
Web: WWW.SERFILCO.COM

(800) 323-5431
(847) 509-2900
Fax: (847) 559-1995

Bulletin	P-207
Operation & Service Guide	O-0123