

# HX Series

## PRODUCT DATA SHEET

### Fluoropolymer Heater

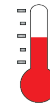
**Excellent chemical resistance to aggressive acids!**

Inert to most solutions

Low Watt density design saves space & ensures long life

Corrosion-resistant head

Built-in thermal protector & grounded element



Up to 100°C (212°F)



500 to 9,000 Watts



120 to 600 Volts  
(600V on 4,500W & lower)



PTFE sleeved 304 stainless steel



cULus  
CE (except 600 Volts)

HX SERIES, SPIRAL FLUOROPOLYMER (PTFE) HEATERS								
WATTS	VOLTS	HOT ZONE		OVERALL LENGTH		MAX. COLD ZONE	MODEL NUMBER	SHIP WGT. lbs/(kg)
		in/(mm)	in/(mm)	in/(mm)	in/(mm)			
500	120	5	11	41			HX.5111-**	6
	240	(127)	(279)	(1041)			HX.5211-**	(2.7)
1000	120	7	11	41			HX1111-**	7
	240	(178)	(279)	(1041)			HX1211-**	(3.2)
2000	120	12	17	40			HX2117-**	8
	240	(305)	(432)	(1016)			HX2217-**	(3.6)
	480						HX2417-**	
3000	240	16	23	40			HX3223-**	13
	480	(406)	(584)	(1016)			HX3423-**	(5.9)
4000	240	20	29	40			HX4229-**	15
	480	(508)	(737)	(1016)			HX4429-**	(6.8)
5000	240	25	35	36			HX5235-**	18
	480	(635)	(889)	(914)			HX5435-**	(8.2)
6000	240	29	40	30			HX6240-**	21
	480	(737)	(1016)	(762)			HX6440-**	(9.5)
8000	240	37	47	32			2HX8247-**	25
	480	(940)	(1194)	(813)			2HX8447-**	(11.3)
9000	240	44	54	35			2HX9254-**	28
	480	(1118)	(1372)	(889)			2HX9454-**	(12.7)

Single phase only. Guards recommended.

**PROCESS  
TECHNOLOGY**

ISO 9001:2015  
WITH DESIGN CERTIFIED

## Features & Values

- Inert to most aqueous acid, alkaline, anodizing, & pickling solutions up to 100°C (212°F)
- Rugged, heavy wall PTFE covered stainless steel element reduces permeation. Guaranteed 100% pinhole free
- Space saving & long service life with low Watt density design of 10 W/in<sup>2</sup> (1.5 W/cm<sup>2</sup>)
- Vapor-resistant, flame retardant polypropylene terminal enclosure with 3 ft (.9m) flexible PVC liquid tight conduit
- Lower Watt densities available for highly viscous solutions & technical acids
- Optional patented purge feature promotes longer heater life

## Specifications

**Wattages** 500 to 9,000 Watts

**Voltages** 120 to 600 Volts  
(600V on 4,500W or lower only)

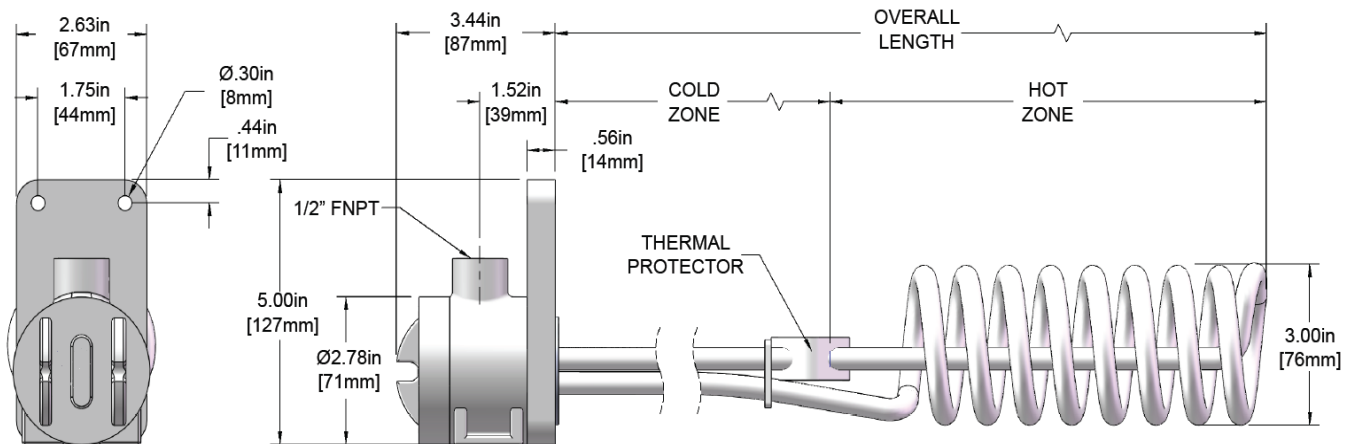
**Temperature Range** Up to 100°C (212°F)

**Safety Features**

- Grounded internal metal element
- Built-in thermal protector. Replaceable P1 protector standard for up to 82°C (180°F). Other options available
- Non-floating construction

**Certifications** cULus listed  
CE compliant (except 600V)

## Dimensions



## Model Number Breakdown

Series	Wattage	Voltage	Overall Length	Type of Protector	Wire & Conduit Length
HX = 1 Element	.5 = 500	1 = 120	11 = .5kW	<b>Replaceable Fuse (Type-J TC)</b>	36" length standard (no designator) Specify variations from standard Ex: -X84 = 84"
2HX = 2 Element	1 = 1000	2 = 240	11 = 1kW	P1 (std) = solutions up to 190°F	
	2 = 2000	3 = 380	17 = 2kW	<b>Resettable Fuse (Type-J TC)</b>	
	3 = 3000	4 = 480	23 = 3kW	P2 = solutions up to 190°F	
	4 = 4000	5 = 415	29 = 4kW	P8 = solutions up to 210°F	
	5 = 5000	6 = 600	35 = 5kW	P3 = solutions up to 250°F	
	6 = 6000	7 = 400	40 = 6kW		
	8 = 8000	8 = 208	47 = 8kW		
	9 = 9000	9 = 220	54 = 9kW		
	0 = 200		Specify custom lengths		

**PROCESS  
TECHNOLOGY**