

HXSL Series

Fluoropolymer Heater

PRODUCT DATA SHEET

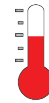
Excellent chemical resistance to aggressive acids!

Inert to most solutions

Low Watt density design saves space & ensures long life

Corrosion-resistant head

Built-in thermal protector & grounded element



Up to 100°C (212°F)



1000 to 6,000 Watts



120 to 600 Volts
(600V on 4,500W or lower only)



PTFE sleeved 304 stainless steel



CE (except 600 Volts)

HXSL SERIES, FLEX RISER FLUOROPOLYMER (PTFE) HEATERS					
WATTS	VOLTS	WIDTH* in/(mm)	LENGTH* in/(mm)	MODEL NUMBER	SHIP WGT. lbs/(kg)
1000	120	*	*	HXSL1**	6
	240	*	*		(2.7)
2000	120	*	*	HXSL2**	7
	240	*	*		(3.2)
	480	*	*		
3000	240	*	*	HXSL3**	12
	480	*	*		(5.4)
4000	240	*	*	HXSL4**	14
	480	*	*		(6.4)
5000	240	*	*	HXSL5**	17
	480	*	*		(7.7)
6000	240	*	*	HXSL6**	20
	480	*	*		(9.1)

*Please consult factory for model numbers of specific heaters. **Single phase only.** Heaters built to conform to tank dimensions. Risers pictured in left position, right position available.



Features & Values

- Inert to most aqueous acid, alkaline, anodizing, & pickling solutions up to 100°C (212°F)
- Rugged, heavy wall PTFE covered stainless steel element reduces permeation. Guaranteed 100% pinhole free
- Space saving & long service life with low Watt density design of 10 W/in² (1.5 W/cm²)
- Flexible riser with 4 ft. (1.2m) of continuous PTFE cable leading to vapor-resistant, flame retardant polypropylene terminal enclosure with 3 ft (.9m) flexible PVC liquid tight conduit
- Optional patented purge feature promotes a longer heater life by reducing chemical permeation
- Lower Watt densities available for highly viscous solutions & technical acids

Specifications

Wattages 1,000 to 6,000 Watts

Voltages 120 to 600 Volts
(600V on 4,500W or lower only)
Single phase only.

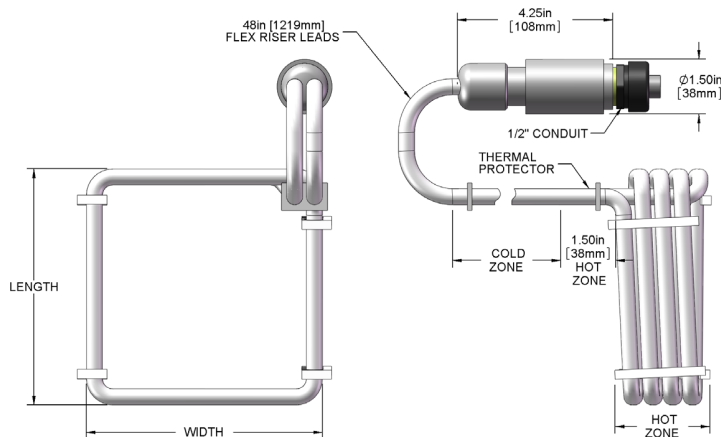
Temperature Range Up to 100°C (212°F)

Safety Features

- Grounded internal metal element
- Built-in thermal protector. Resettable P3 protector standard for up to 121°C (250°F). Other options available
- Non-floating construction

Certifications CE compliant (except 600V)

Dimensions



Model Number Breakdown

Series	Wattage	Voltage	Width	Length	Riser Location	Riser Option	Type of Protector	Wire & Conduit Length
HXSL = PTFE	1 = 1000	1 = 120	Specify in inches	Specify in inches	L = left front corner R = right front corner	FR = flex riser length, specify length in inches Ex: FR48 = 48" R = rigid riser length	Thermal Protector (flex riser) Resettable Fuse P3 = solutions up to 250°F (121°C)	36" length standard (no designator) Specify variations from standard Ex: -X84 = 84"
	2 = 2000	2 = 240					Thermal Protector (rigid riser) Replaceable Fuse P1 (std) = solutions up to 190°F P4 = solutions up to 220°F	
	3 = 3000	3 = 380					Resettable Fuse P2 = solutions up to 190°F P8 = 190° to 210°F P3 = 210° to 250°F	
	4 = 4000	4 = 480						
	5 = 5000	5 = 415						
	6 = 6000	6 = 600						
		7 = 400						
		8 = 208						
		9 = 220						
		0 = 200						

