



LABMASTER | FILTRATION SYSTEMS

STANDARD FEATURES

Compact System - Big Flow Rate

Flows to 345 GPH at 60Hz
(1,306 LPH at 50Hz)

Non-Metallic Solution Contact

Constructed of PVC, CPVC, Polypropylene or PVDF
Utilizes Series 'A' - Magnetic Coupled Pump

Single Column 'L' Chamber

Available in 10", 20" and 30" Lengths

EPDM Elastomers Standard

FKM or Others Available

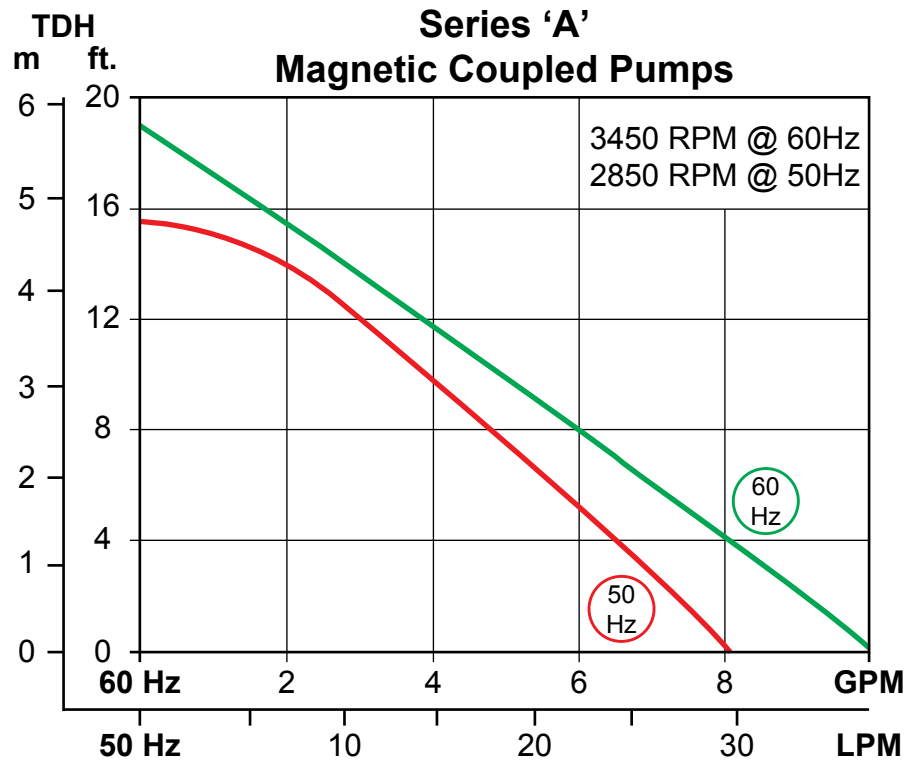
Variety of Media Types

Depth Wound, Pleated, Cleanable Sleeve or Carbon

Corrosion Resistant PVC Mounting Base

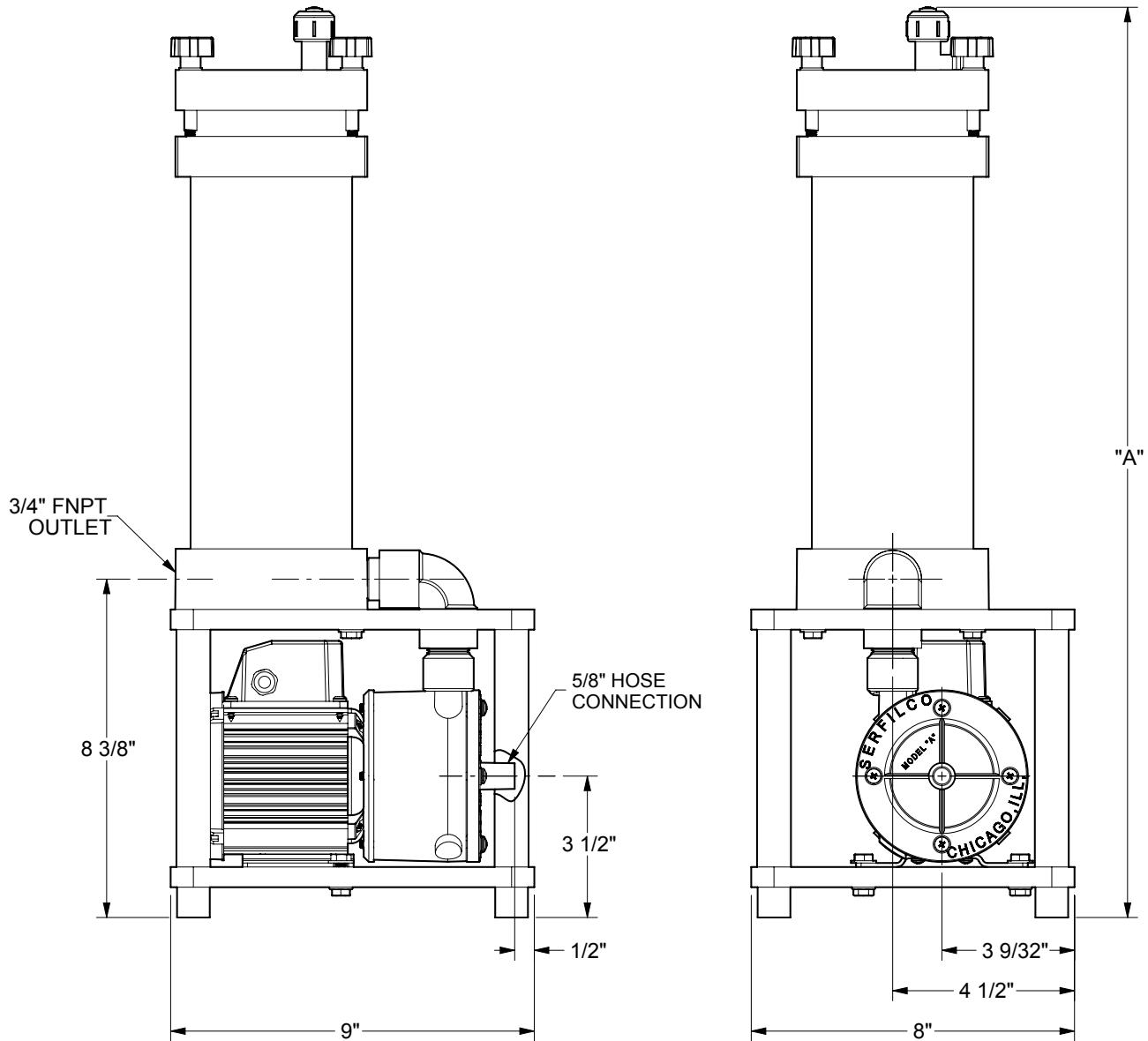


Shown: S-PPL2A6





TECHNICAL INFORMATION



ORDER INFORMATION

SYSTEM NUMBER				FLOW RATE (GPH)	MEDIA	SURFACE AREA	DIM "A"	SHIP WEIGHT
PVC	CPVC	PP	PVDF					
PCL1A6	CL1A6	PPL1A6	KL1A6	345	1 - 10"	3.5 Sq. Ft.	22-1/2"	23 lbs.
PCL2A6	CL2A6	PPL2A6	KL2A6	345	2 - 10"	7.0 Sq. Ft.	32-1/2"	30 lbs.
PCL3A6	CL3A6	PPL3A6	KL3A6	345	3 - 10"	10.5 Sq. Ft.	42-1/2"	37 lbs.

AVAILABLE OPTIONS

DESCRIPTION	PRICE CODE NO.
Viton Elastomers on Filter Chamber and Pump.	-V
Optional Motor: 230V / 1 / 50-60	Change '6' to '5' in System Number.

DESCRIPTION	PRICE CODE NO.
Hose Kit (Includes Priming Kit)	PVC & CPVC: 99-1600 PP: 99-1601
Priming Kit	99-0160
Order Filter Media Separately. Refer to Bulletin M-109 (cartridge or sleeves) or M-305 (carbon)	