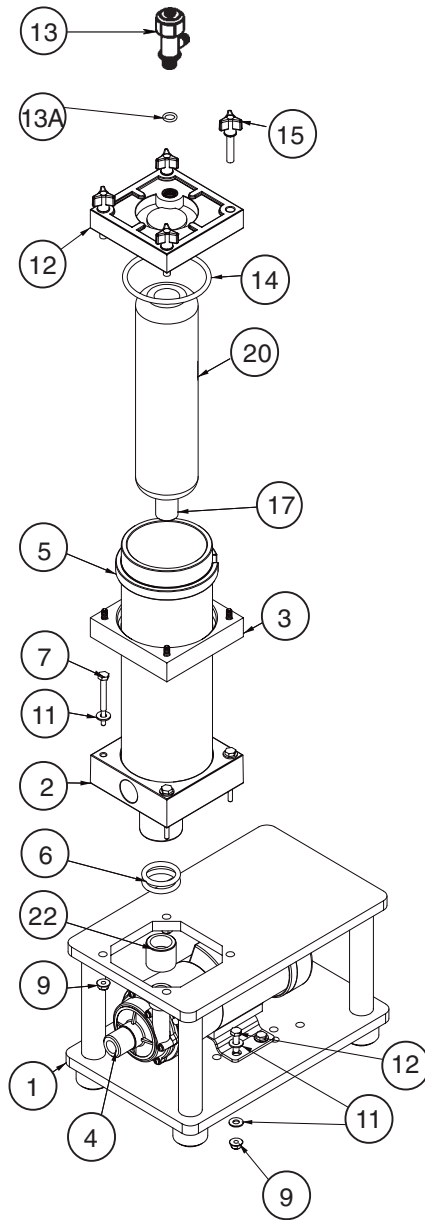


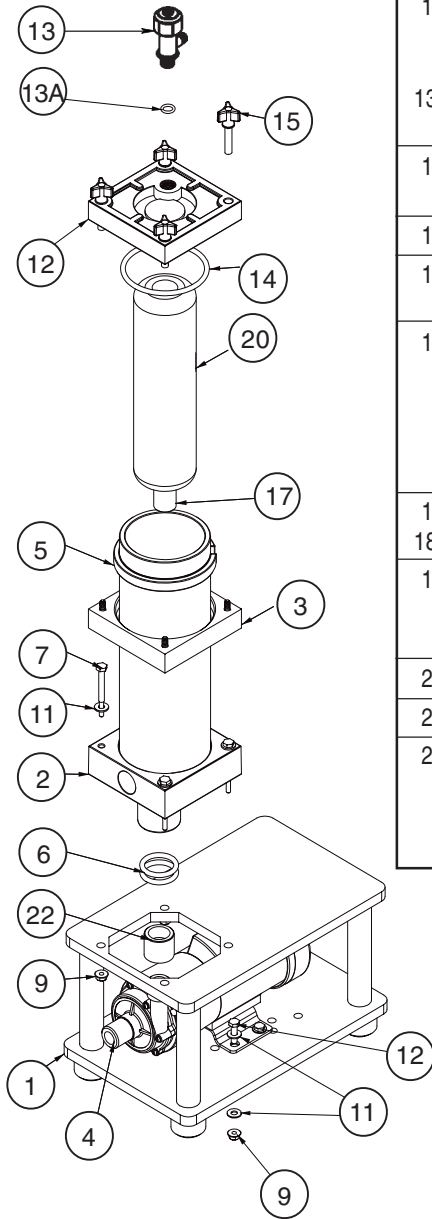


# LABMASTER 'LX'

Refer to Bulletin F-212.



ITEM	DESCRIPTION	SYSTEM			
		PCL	CL	PPL	KL
1	Stand - PVC	88-3468			
2	Shell & base ass'y, 3/4" NPT (std.) (10") X40 pump, 5/8" hose	88-3467 1P	88-3467 1C	88-3467 1PP	88-3467 1K
	(20") X40 pump, 5/8" hose	88-3467 2P	88-3467 2C	88-3467 2PP	88-3467 2K
	(30") X40 pump, 5/8" hose	88-3467 3P	88-3467 3C	88-3467 3PP	88-3467 3K
	(40") X40 pump, 5/8" hose	88-3467 4P	88-3467 4C	88-3467 4PP	88-3467 4K
	(50") X40 pump, 5/8" hose	88-3467 5P	88-3467 5C	88-3467 5PP	88-3467 5K
2	Shell & base ass'y, 3/4" NPT (std.) (10") X50 & X100 pump, 3/4" hose	88-3464 1P	88-3464 1C	88-3464 1PP	88-3464 1K
	(20") X50 & X100 pump, 3/4" hose	88-3464 2P	88-3464 2C	88-3464 2PP	88-3464 2K
	(30") X50 & X100 pump, 3/4" hose	88-3464 3P	88-3464 3C	88-3464 3PP	88-3464 3K
	(40") X50 & X100 pump, 3/4" hose	88-3464 4P	88-3464 4C	88-3464 4PP	88-3464 4K
	(50") X50 & X100 pump, 3/4" hose	88-3464 5P	88-3464 5C	88-3464 5PP	88-3464 5K
2	Shell & base ass'y, 3/4" NPT (opt.) (10") X40, X50 & X100 pump, NPT	88-3576 1P	88-3576 1C	88-3576 1PP	88-3576 1K
	(20") X40, X50 & X100 pump, NPT	88-3576 2P	88-3576 2C	88-3576 2PP	88-3576 2K
	(30") X40, X50 & X100 pump, NPT	88-3576 3P	88-3576 3C	88-3576 3PP	88-3576 3K
	(40") X40, X50 & X100 pump, NPT	88-3576 4P	88-3576 4C	88-3576 4PP	88-3576 4K
	(50") X40, X50 & X100 pump, NPT	88-3576 5P	88-3576 5C	88-3576 5PP	88-3576 5K
3	Cover hold-down bracket- CPVC	88-1099		88-1099 PP	88-1099 K
4	Pump X Series (X40) (X50) (X100)	Refer to pump parts list P-9875.			
5	Retaining collar - CPVC	88-1098			
6	"O"-ring (X40 pump) hose - Viton (2 req'd) (standard) - EPDM (2 req'd) (optional)	22-0906V 22-0906			
	(X50 & X100 pump) hose - Viton (2 req'd) (standard) - EPDM (2 req'd) (optional)	22-0892V 22-0892			
6	"O"-ring (X40, X50, X100) pump NPT - Viton (standard) - EPDM (optional)	22-0905V 22-0905			
	7	Hex head bolt, 1/4"-20 x 2 1/2" long - stainless steel (4 req'd)	11-0429		
8	Cartridge spacer (not shown) - Viton (standard) (as req'd) - EPDM (optional) (as req'd)	22-0204 22-0218			
	9	Whiz nut, 1/4"-20 - stainless steel (8 req'd)	11-0103		
10	Hex head bolt, 1/4"-20 x 1 1/4" long - stainless steel (4 req'd)	11-0390			
11	Flat washer, 1/4" - stainless steel (16 req'd)	11-0121			
12	Cover	88-0948	88-0307 1	88-2817	



ITEM	DESCRIPTION	SYSTEM			
		PCL	CL	PPL	KL
13	Vent valve, 1/4" (standard on PCL, CL & PPL) Vent plug 1/4" - PVDF (not shown)	33-8108 PP			-
13A	Viton "O"-ring (standard) EPDM "O"-ring (optional)	-	22-0870V 22-0870	88-1340	22-0600 22-0691
14	"O"-ring - Viton (standard) - EPDM (optional)	22-0328 22-0283			
15	Plastic knob & threaded sleeve (4 req'd)	11-0298			
16	Support plate - FRP (optional) (not shown)	99-1099 1			99-1099
17	Tube guide (10") Cross-post (20") (not shown) (30") " " " (40") " " " (50") " " "	88-0412	88-0411	88-0442	
18	Vent valve hose 4' (not shown)	22-0913			-
18A	Hose clamp (not shown)	22-0912			-
19	Pipe plug, 3/4" NPT (not shown) - Viton "O"-ring (standard) - EPDM "O"-ring (optional)	33-0211	33-0211 PP 22-0563 22-0570	33-0211 K	
20	Depth type cartridge	See Bulletin M-109			
21	Sleeve cartridge (not shown)	Refer to Parts List P-8600			
22	Nipple, 1" dia. (optional) X40 pump, NPT X50 pump, NPT X100 pump, NPT	88-3577 C 88-3578 C	88-3577 PP 88-3578 PP	88-3577 PP 88-3578 PP	

F.O.B. Northbrook, Illinois

Terms: Net 30 Days

Minimum order \$25.00



**SERFILCO<sup>®</sup>, LTD.**

2900 MacArthur Blvd. 847-509-2900  
Northbrook, IL 60062-2005 U.S.A. 800-323-5431  
e-mail: sales@serfilco.com FAX: 847-559-1995  
www.serfilco.com

**WESTERN**

13721 Alma Avenue 310-532-0801  
Gardena, CA 90249-2513 FAX: 310-532-0866