

Derated Triple Metal Over the Side Heaters

Low watt density, 3 phase, durable, efficient metal heaters for concentrated alkaline or caustic solutions. Available in Steel, 304 Stainless Steel, 316 Stainless Steel, and Titanium.



FEATURES

For use in most aqueous alkaline solutions, plating and phosphate tanks. Check solution recommendation chart with your chemical supplier for proper sheath material selection.

Heavy wall metal sheaths available in: steel, 304 stainless steel, 316 stainless steel, titanium.

Watt densities up to 35 watts per square inch (5.4 w/cm²) ensure long service life.

Vapor-resistant, flame retardant polypropylene terminal enclosure with 3 ft (.9m) flexible PVC liquid tight conduit.

Temperature and level controls sized to match the heater.

Lower watt densities for highly viscous solutions.

NOTE: Intended for vertical installation only.

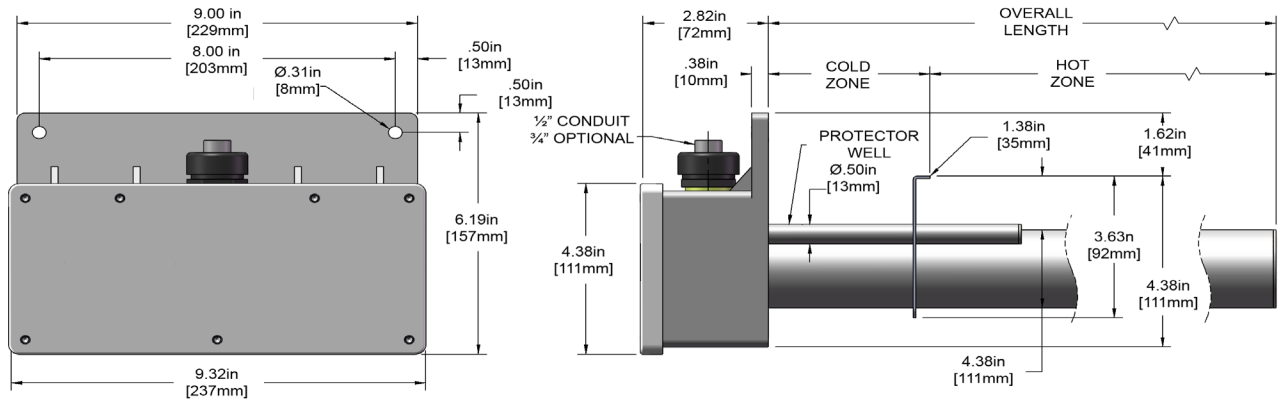
D3 SERIES, DERATED TRIPLE METAL HEATERS									
WATTS	VOLTS	HOT OVERALL		STEEL	304 SS	316 SS	TITANIUM	SHIP WGT.	Lbs./kg)
		ZONE	LENGTH						
		In./mm)	In./mm)						
1500	120	6	11	D3P1.5111-*.**	D3F1.5111-*.**	D3S1.5111-*.**	D3T1.5111-*.**	21	
	240	(152)	(279)	D3P1.5211-*.**	D3F1.5211-*.**	D3S1.5211-*.**	D3T1.5211-*.**	(9.5)	
3000	240	10	17	D3P3217-*.**	D3F3217-*.**	D3S3217-*.**	D3T3217-*.**	30	
	480	(254)	(432)	D3P3417-*.**	D3F3417-*.**	D3S3417-*.**	D3T3417-*.**	(13.6)	
4500	240	16	23	D3P4.5223-*.**	D3F4.5223-*.**	D3S4.5223-*.**	D3T4.5223-*.**	33	
	480	(406)	(584)	D3P4.5423-*.**	D3F4.5423-*.**	D3S4.5423-*.**	D3T4.5423-*.**	(15)	
6000	240	20	29	D3P6229-*.**	D3F6229-*.**	D3S6229-*.**	D3T6229-*.**	39	
	480	(508)	(737)	D3P6429-*.**	D3F6429-*.**	D3S6429-*.**	D3T6429-*.**	(17.7)	
7500	240	25	35	D3P7.5235-*.**	D3F7.5235-*.**	D3S7.5235-*.**	D3T7.5235-*.**	45	
	480	(635)	(889)	D3P7.5435-*.**	D3F7.5435-*.**	D3S7.5435-*.**	D3T7.5435-*.**	(20.4)	
9000	240	30	40	D3P9240-*.**	D3F9240-*.**	D3S9240-*.**	D3T9240-*.**	51	
	480	(762)	(1016)	D3P9440-*.**	D3F9440-*.**	D3S9440-*.**	D3T9440-*.**	(23.1)	
12000	240	37	47	D3P12247-*.**	D3F12247-*.**	D3S12247-*.**	D3T12247-*.**	63	
	480	(940)	(1194)	D3P12447-*.**	D3F12447-*.**	D3S12447-*.**	D3T12447-*.**	(28.6)	
13500	240	44	54	D3P13.5254-*.**	D3F13.5254-*.**	D3S13.5254-*.**	D3T13.5254-*.**	69	
	480	(1118)	(1372)	D3P13.5454-*.**	D3F13.5454-*.**	D3S13.5454-*.**	D3T13.5454-*.**	(31.3)	
15000	240	49	59	D3P15259-*.**	D3F15259-*.**	D3S15259-*.**	D3T15259-*.**	75	
	480	(1245)	(1499)	D3P15459-*.**	D3F15459-*.**	D3S15459-*.**	D3T15459-*.**	(34)	
18000	240	58	68	D3P18268-*.**	D3F18268-*.**	D3S18268-*.**	D3T18268-*.**	84	
	480	(1473)	(1727)	D3P18468-*.**	D3F18468-*.**	D3S18468-*.**	D3T18468-*.**	(38.1)	

Derated Triple Metal Over the Side Heaters

SPECIFICATIONS

Wattages	1,500 Watts to 18,000 Watts
Voltages	120 volts to 600 volts, (600V on 4,500W or lower only)
Temperature Range	Up to 180° C (82°F)
Options	Special configurations & lengths Longer wire and conduit lengths All metal welded junction box
Safety Features	Grounded construction Thermal protector built in. Replaceable PI protector standard for solutions up to 180°C (82°F). See chart below for options.

DIMENSIONS



MODEL NUMBER BREAKDOWN

Series	Wattage	Voltage	Overall Length	Phase	Type of Protector	Wire & Conduit Length
D3P = Steel	1.5 = 1500	1 = 120	11 = 1.5kW	Blank = three phase (std)	Replaceable Fuse	36" length standard (no designator)
D3F = 304 stainless steel	3 = 3000	2 = 240	17 = 3kW	-1 = single phase	P1 (std) = solutions up to 180°F	Specify variations from standard Ex: -X84 = 84"
D3S = 316 stainless steel	4.5 = 4500	3 = 380	23 = 4.5kW		P4 = solutions up to 230°F	
D3T = Titanium	6 = 6000	4 = 480	29 = 6kW		P5 = solutions up to 300°F	
	7.5 = 7500	5 = 415	35 = 7.5kW		Resettable Fuse	
	9 = 9000	6 = 600	40 = 9kW		P2 = solutions up to 180°F	
	12 = 12000	7 = 400	47 = 12kW		P6 = solutions up to 230°F	
	13.5 = 13500	8 = 208	54 = 13.5kW		P7 = solutions up to 300°F	
	15 = 15000	9 = 220	59 = 15kW			
	18 = 18000	0 = 200	68 = 18kW			