



CL 150SS Vertical Parts List

PRICE® PUMP CO.

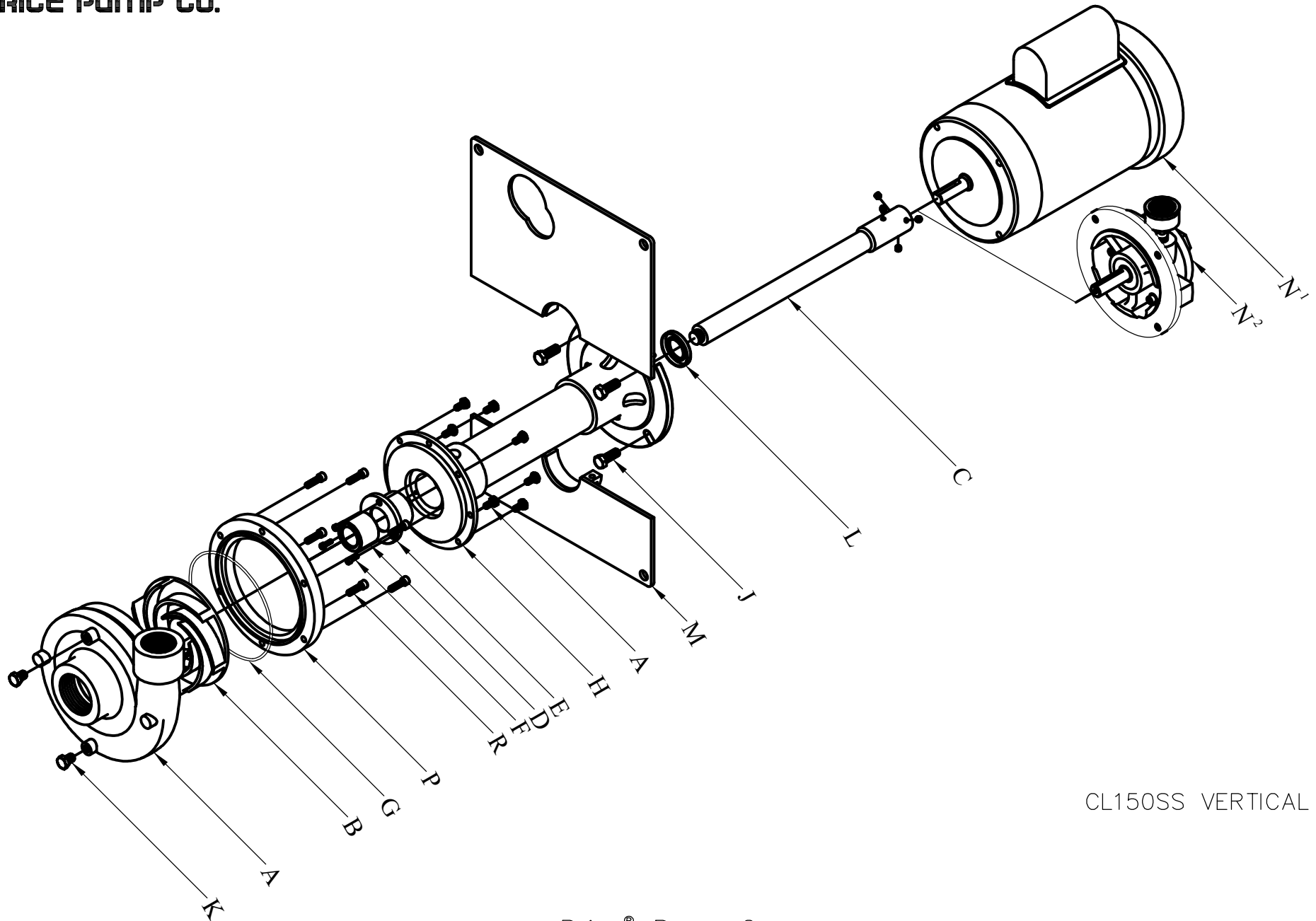
CL150SSV_plist.doc rev. B

Key #	Description	Quantity	CL150SSV
A.	Volute	1	3503-0
	Volute Bolts	6	2466
B.	Impeller	1	3502V-dia
C.	5/8" ID Shaft w/ Setscrews	1	
	6 1/2" SS		3780-1
	13" SS		3781-1
	20" SS		3782-1
	32" SS		3783-1
	44" SS		3784-1
	7/8" ID Shaft w/ Setscrews	1	
	6 1/2" SS		3785-1
	13" SS		3786-1
	20" SS		3787-1
	32" SS		3788-1
	44" SS		3789-1
	Shafts Includes:		
	1 Half Dog Setscrew		0566
	3 Cup Point Setscrews		0680
D.	Bushing: Carbon Graphite (std)	1	0676
	Glass Filled Teflon® (opt)		1135
	* Silicon Carbide (opt)		0616
E.	Bushing Plate	1	0747
	*For Silicon Carbide bushing		0747ASC
	*Stainless Steel Pin (for GF PTFE & Silicon Carbide)	2	0727
F.	Bushing Plate Screws	3	0256
G.	O-Ring: Viton (std.)	1	0865
	Teflon (opt.)		0866
	EPR (opt.)		0867
	Buna (opt.)		0868
H.	Column Assembly	1	
	6 1/2" SS		0468
	13" SS		0467
	20" SS		0466
	32" SS		0472
	44" SS		0469
J.	Motor Bolts	4	0592
K.	1/8" Pipe Plugs	2	0559
L.	Fume Barrier (opt)	1	
	Viton® for 5/8" ID shaft		0875
	Viton® for 7/8" ID shaft		0877
	Teflon® for 5/8" ID shaft		0876
	Teflon® for 7/8" ID shaft		0878
M.	Plate Assembly (opt)	1	
	12 x 12 Sq. Steel		0903
	12 x 12 Sq. Stainless Steel		0904
N1.	Motor - Specify P/N	1	
N2.	Air Motor - Specify P/N	1	
P.	Adapter plate	1	3512
R.	Adapter bolts	8	0917



PRICE PUMP CO.

CL150SSV_P.dwg rev. A



CL150SS VERTICAL

Price® Pump Co.

21775 Eighth Street East * Sonoma, CA 95476-0329 * (707) 938-8441 * Fax (707) 938-0764