



LT25 Vertical Parts List

PRICE® PUMP CO.

LT25V plist.doc rev. A

Key #	Description	Quantity	316SS
A.	Volute Cover	1	0313
B.	Gasket	1	0318
C.	Impeller	1	0315-3.34
D.	Bushing:	1	
	Graphitar (Std)		0672
	Flurogold (Opt)		0691
E.	Bushing Plate	1	0747
F.	Lock screw	3	0256
G.	Column Assembly:	1	
	7 1/2"		0453
	13"		0454
	20"		0455
H.	Shaft w/ Setscrews:	1	
	7 1/2"		0316-3
	13"		0316-5
	20"		0316-7
I.	Volute Bolts	6	0917
J.	Motor Bolts	4	0376
K.	Impeller Locknut		0897
L.	Mounting Plate (Opt)	1	
	Steel		
	Stainless Steel		
M.	Motors:	1	
	1/8HP, 1800, 1/60/115/230, TEFC		1608
	1/3HP, 3600, 1/60/115/230, DP		1438
	1/3HP, 3600, /50/60/100/200/115/230, TEFC		1439
	1/3HP, 3600, 3/50/60/220/440/230/460, TEFC		1440
	1/3HP, 3600, 1/50/60/115/230, X-P	1441	
	1/3HP, 3600, 3/50/60/220/440/230/460, X-P		1442

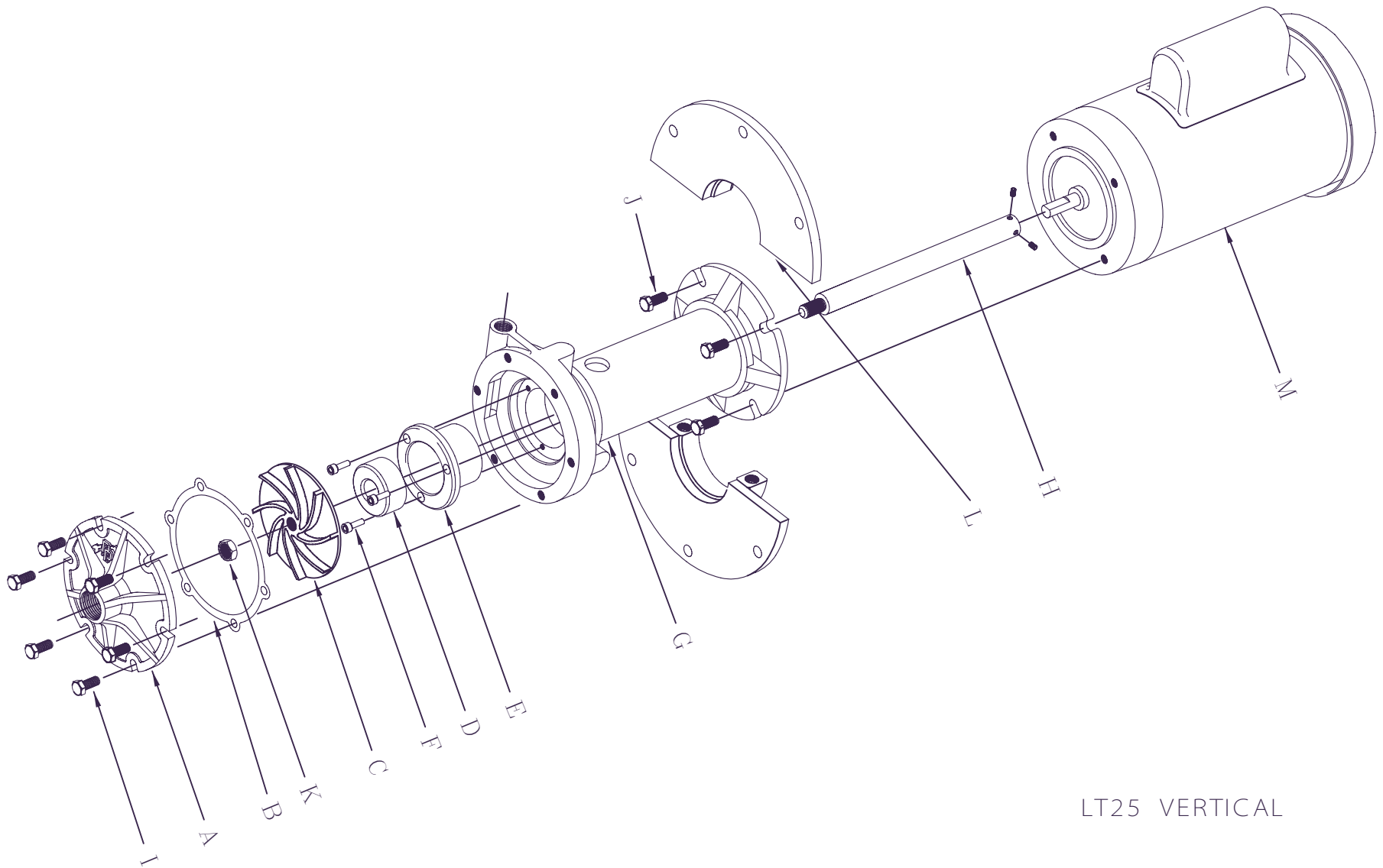
Price® Pump Co.

21775 Eighth Street East * Sonoma, CA 95476-0329 * (707) 938-8441 * Fax (707) 938-0764



PRICE PUMP CO.

LT25_V_P.dwg rev. A



LT25 VERTICAL

Price[®] Pump Co.

21775 Eighth Street East * Sonoma, CA 95476-0329 * (707) 938-8441 * Fax (707) 938-0764