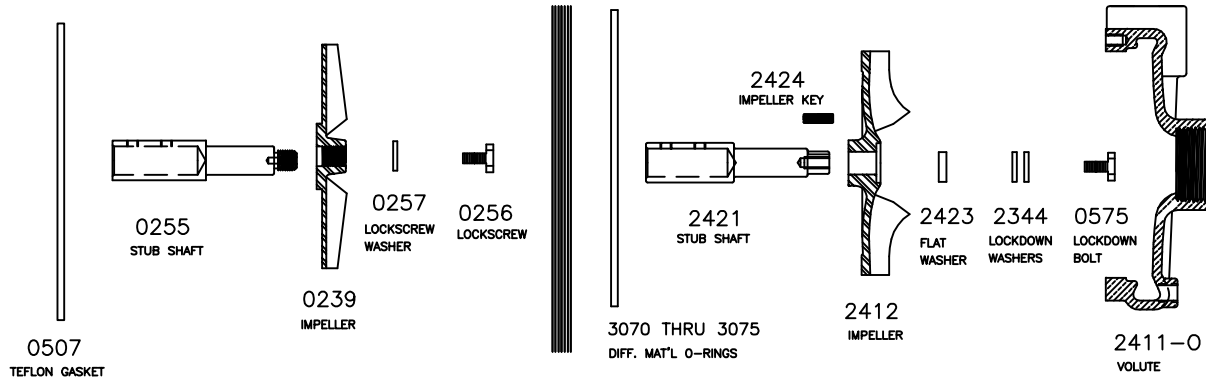


# SC150 TO CD150SS

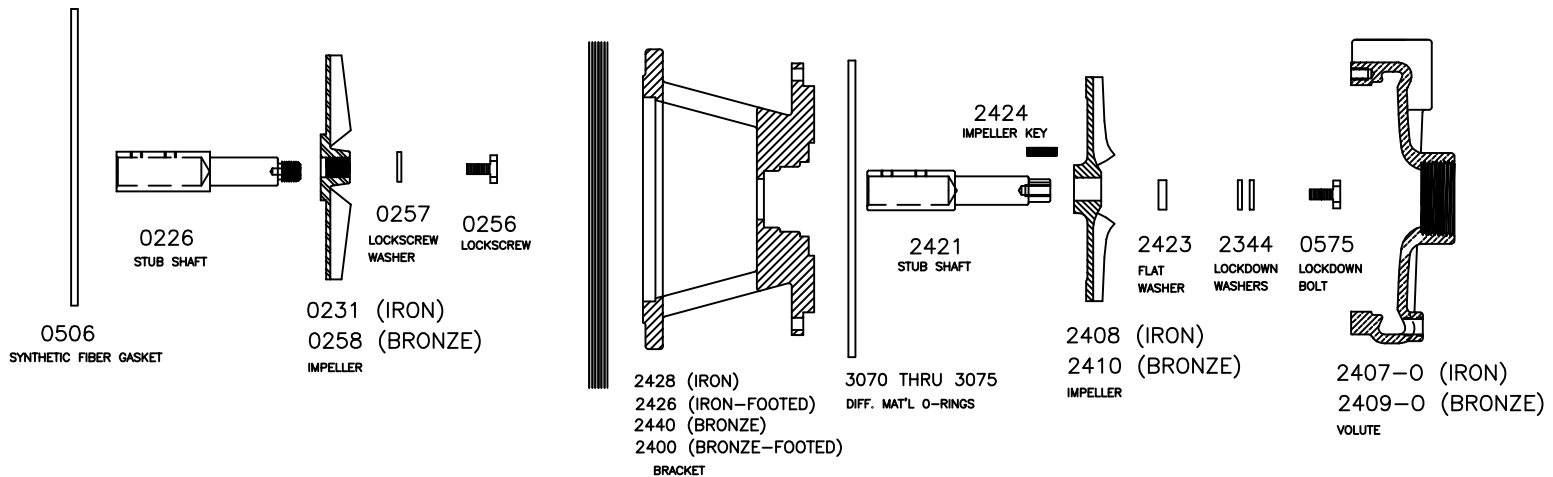
DIFFERENCES : IMPELLER/STUB SHAFT IS THREADED ON SC, BUT IS KEYED ON CD  
 IMPELLER VANES HAVE DIFFERENT GEOMETRY  
 VOLUTES HAVE DIFFERENT GEOMETRY TO MATCH IMPELLER ON CD.  
 VOLUTES USE AND O-RING ON THE CD INSTEAD OF A GASKET



NEED TO BUY IMPELLER, STUB SHAFT, KEY, LOCKDOWN BOLTS/WASHERS, O-RING AND VOLUTE

# EC150 TO CD150 (BRONZE OR IRON)

DIFFERENCES : IMPELLER/STUB SHAFT IS THREADED ON SC, BUT IS KEYED ON CD  
 IMPELLER VANES HAVE DIFFERENT GEOMETRY  
 VOLUTES HAVE DIFFERENT GEOMETRY TO MATCH IMPELLER ON CD.  
 BRACKETS ARE MACHINED DIFFERENT TO MATCH VOLUTE & IMPELLER ON CD.  
 VOLUTES USE AND O-RING ON THE CD INSTEAD OF A GASKET



NEED TO BUY IMPELLER, STUB SHAFT, KEY, LOCKDOWN BOLTS/WASHERS, BRACKET, O-RING AND VOLUTE.