



# PRICE PUMP®

## CL150

### PUMP VOLUTE / IMPELLER MATERIALS

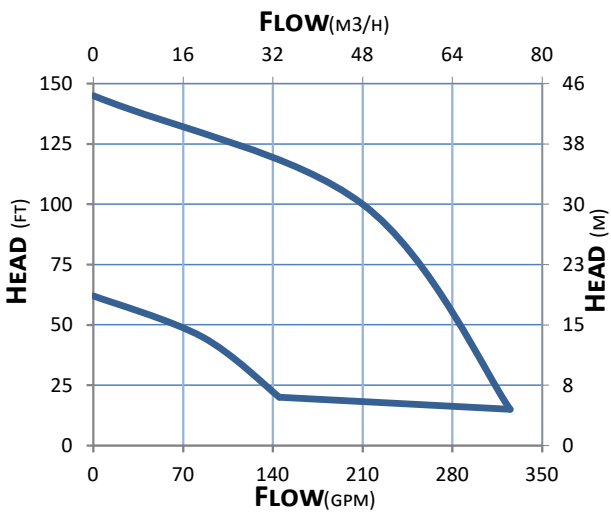
CL150 (SS) - 316SS/ 316SS

### APPLICATIONS

- REVERSE OSMOSIS
- CAUSTICS
- DEIONIZED WATER PROCESSING
- FILTER SYSTEMS
- GLYCOLS
- ALKALIS
- ACIDS
- WASHERS



1-3/4" SEAL



### STANDARD SPECIFICATIONS

- DISCHARGE 1-1/2" FNPT, SUCTION 2" FNPT
- MAXIMUM IMPELLER DIAMETER: 5.76"
- MOTOR: NEMA C FACE (MULTIPLE ENCLOSURES AVAILABLE)
- PUMP ENERGY INDEX: .917-.932

### MECHANICAL SEAL TYPES

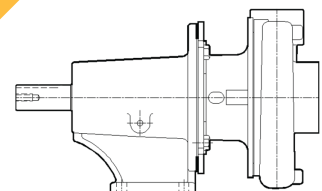
- SINGLE, 1-3/4" TYPE 21 VITON, CARBON VS. CERAMIC
- NOTE: ADDITIONAL SEAL OPTIONS AVAILABLE
- BRACKET MATERIAL: 316SS
- O-RING: VITON(STD); BUNA AND NEOPRENE OPTIONAL

### FEATURES

- PUMP DESIGN – COMPACT, CLOSE COUPLED
- TEFLON SEAL – TYPE 9 AVAILABLE
- FLUSH OPTIONS – EXTERNAL RECIRCULATING

### OPTIONAL CONFIGURATIONS

- POWER FRAME MOUNTING
- LONG-COUPLED MOUNTING



2203 SMEED PARKWAY CALDWELL, ID 83605

MAIN (208) 402-6871

TOLL FREE (800) 345-7867

EMAIL SALES@PRICEPUMP.COM

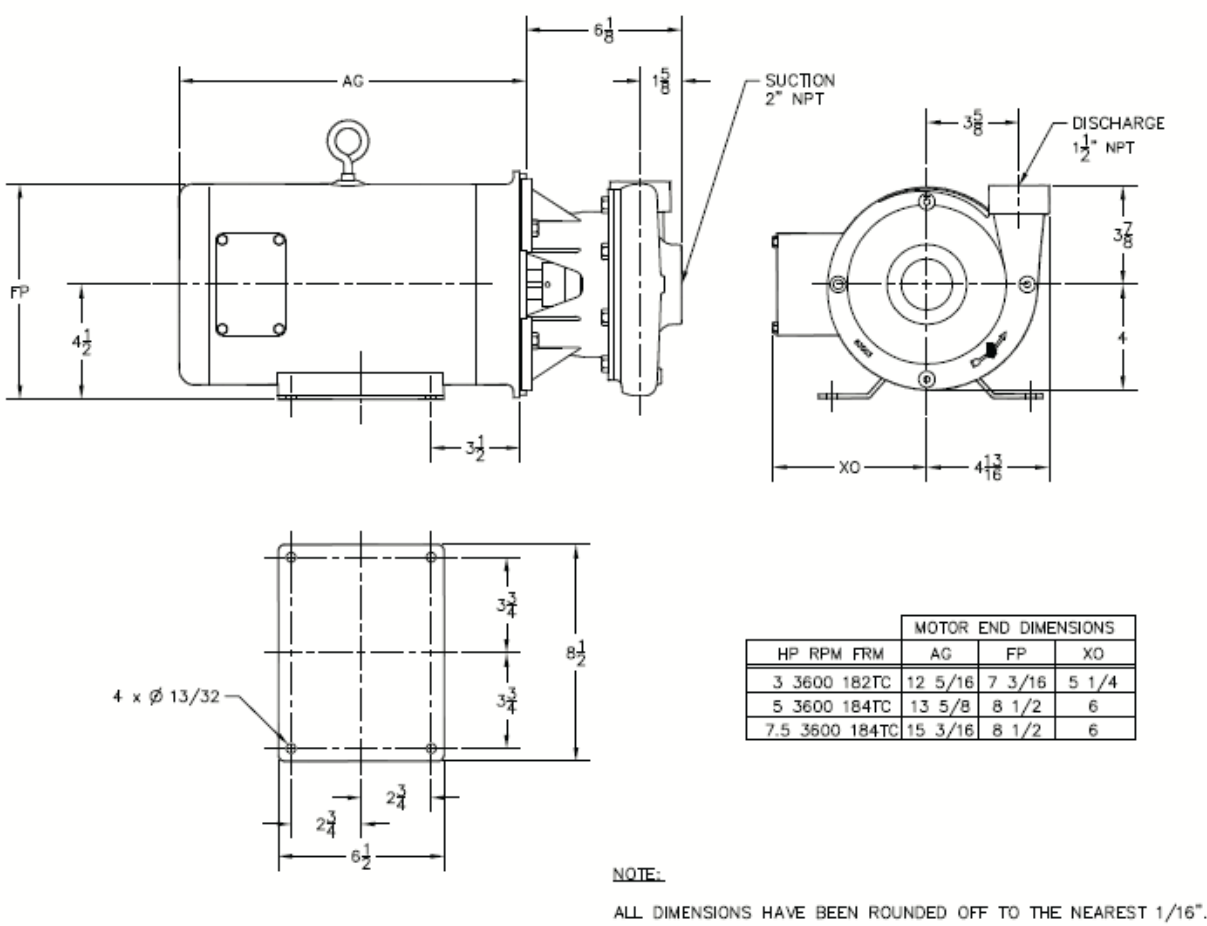
PRICEPUMP.COM





**PRICE PUMP**

# CL150



## DIMENSIONS

MATERIALS OF CONSTRUCTION	
CL150	SS
VOLUTE	316 STAINLESS STEEL
IMPELLER	316 STAINLESS STEEL
BRACKET	316 STAINLESS STEEL
O-RING	VITON (BUNA, EPR, TEFLON, NEOPRENE OPTIONAL)
FASTENERS	316 STAINLESS STEEL

TECHNICAL INFORMATION	
MAX FLOW	325 GPM (73.8 M3/HR)
MAX HEAD	145 FEET (44 M)
MIN. FLOW	40 GPM (9.1 M3/HR)
MAX SOLID SIZE	0.150" (3.81 MM)
MAX WORKING PRESSURE	(TYPE 9 SEAL) 350 PSI (24.1 BAR) (TYPE 21 SEAL) 150 PSI (10.3 BAR)
MAX TEMP.	300°F (149°C)*

\*TEMPERATURE LIMITS ARE BASED ON STANDARD SEAL AND O-RING MATERIALS, AND WILL VARY ACCORDING TO THE LIQUID BEING PUMPED.



2203 SMEED PARKWAY CALDWELL, ID 83605

MAIN  
(208) 402-6871

TOLL FREE  
(800) 345-7867

EMAIL  
SALES@PRICEPUMP.COM

PRICEPUMP.COM

