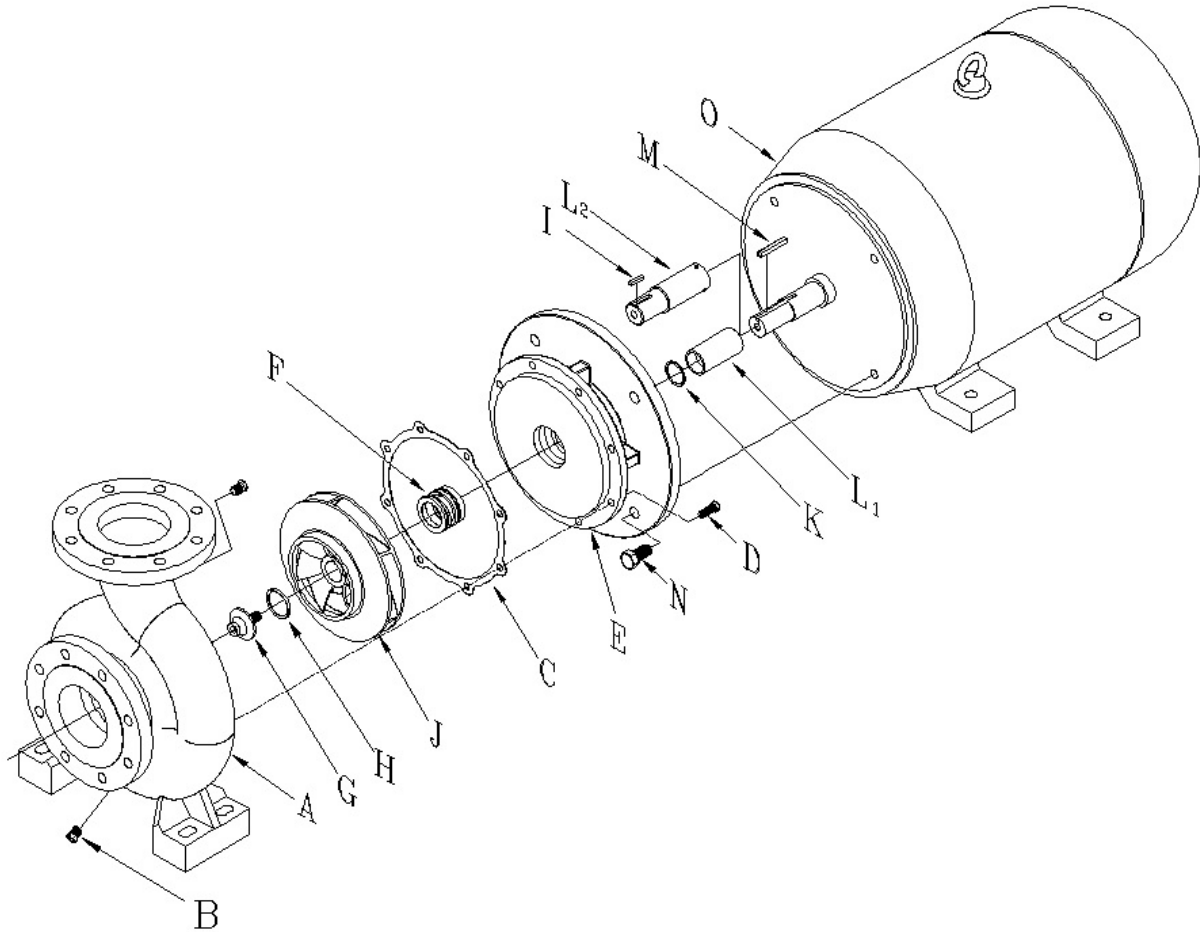




PRICE PUMP CO.

XJ400 Parts List

Effective: December, 2013



Description	Qty	PN
A. Volute (364/365JM)	1	2632
(324/326JM)	1	2632-1
(213-286JM)	1	2632-2
B. Pipe Plug	2	0559
C. Gasket, Synthetic Fiber PTFE (Opt.)	1	4039
	1	4038
D. Volute Bolt	8	0579
E. Bracket (284-365JM)	1	4012
Bracket (213-256JM)	1	4012-3
F. Type 21 Seal (std.)	1	0122
Type 2 Seal (opt.)	1	3920
G. Impeller Lockdown	1	4050

Description	Qty	PN
H. Impeller Lockdown Gasket, PTFE	1	4060
I. Impeller Lockdown Key (213/215JM)	1	0136
J. Impeller	1	2631-Dia.
K. Sleeve O-ring, PTFE	1	4045
L1. Sleeve (254-365JM)	1	0142
L2. Shaft 7/8" ID (213/215JM)	1	0140-1
M. Impeller Shaft Key (254-365JM)	1	0143
Motor Shaft Key (213/215JM)	1	0135-316
N. Motor Bolt (284-365JM)	4	2192
Motor Bolt (213-256JM)	4	3729
O. Motor, 213-365JM	1	Specify PN

Price® Pump Company

21775 8th Street East ♦ Sonoma, CA 95476-0329 ♦ (707) 938-8441 ♦ Fax (707) 938-0764