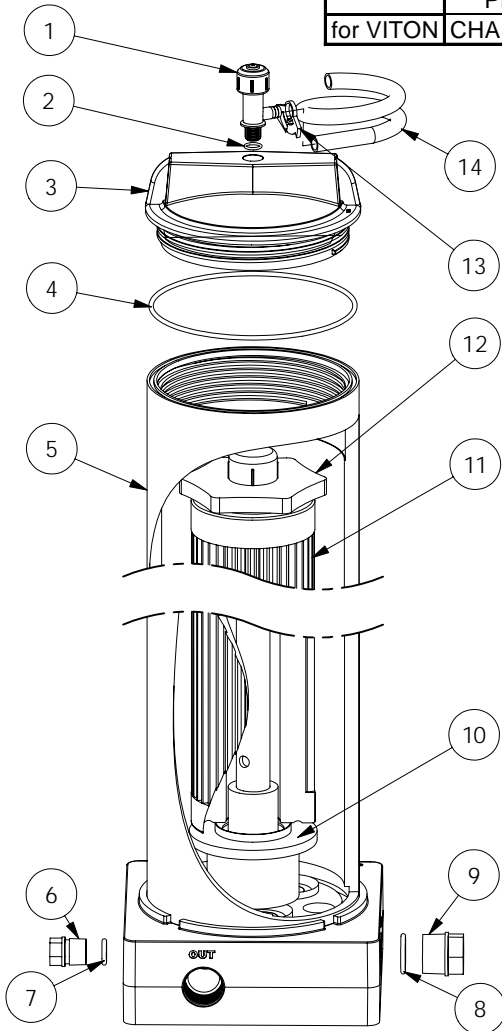




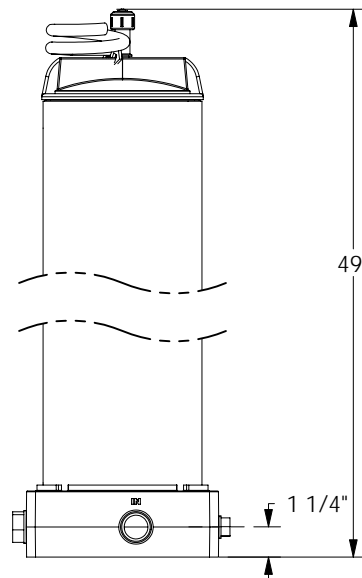
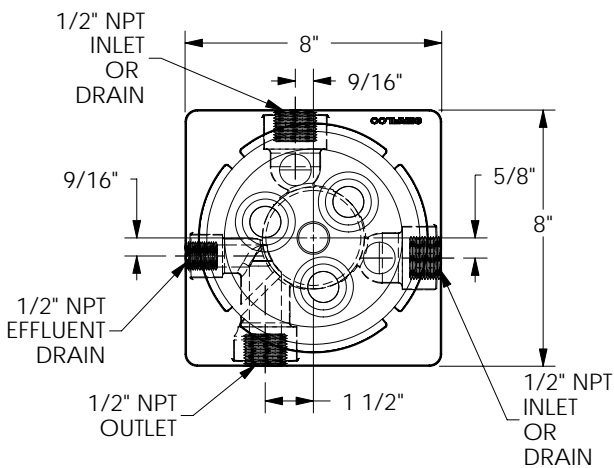
# SERIES 'SD-640' FILTER CHAMBER

PARTS LIST  
P-4470A  
09/20/05

	MODEL	PRICE CODE NO.
CPVC	CL640D-1	78-1484-C
	CL640D-1 1/4	78-1485-C
PVC	PL640D-1	78-1484-P
	PL640D-1 1/4	78-1485-P
for VITON	CHANGE "L" TO "V"	ADD 'V' TO P or C



NO	DESCRIPTION	MODEL
1	VENT VALVE, 1/4" NPT -PP	33-8108-PP
2	O-RING	-EPDM 22-0870
		-VITON 22-0870-V
3	COVER	88-3159
4	O-RING	-EPDM 22-0887
		-VITON 22-0887-V
5	SHELL & BASE 1" NPT -CPVC 88-3621-C (BY PORT SIZE) 1 1/4" NPT 88-3622-C 1" NPT -PVC 88-3621-P 1 1/4" NPT 88-3622-P	
6	PLUG, 1/2" NPT -CPVC	33-0866
7	O-RING	-EPDM 22-0569
		-VITON 22-0568
8	O-RING	-EPDM 22-0605
		-VITON 22-0604
9	PLUG, 1" NPT -CPVC	33-0212
10	CARTRIDGE SUPPORT -CPVC	88-1153
11	ORDER SEPARATELY	See bulletin
	PLEATED PAPER FILTER	M-109
	CARTRIDGE ø4"x36" LNG	
11	MAXI-WIND	See bulletin
	(2) FILTER CARTRIDGE ø4"x18" LNG	M-109
12	CAP ASSEMBLY -CPVC	88-1154
13	HOSE CLAMP	22-0912
14	VENT VALVE HOSE	22-0913

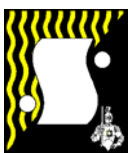


Bulletin	M-109
Operation & Service Guide	
Price List	

F.O.B Northbrook, Illinois

Terms: Net 30 Days

Minimum order \$25.00



# SERFILCO, LTD.

2900 MacArthur Blvd.  
Northbrook, IL 60062 U.S.A.  
Email: Sales@SERFILCO.com  
Web: WWW.SERFILCO.COM

(800) 323-5431  
(847) 509-2900  
Fax: (847) 559-1995