

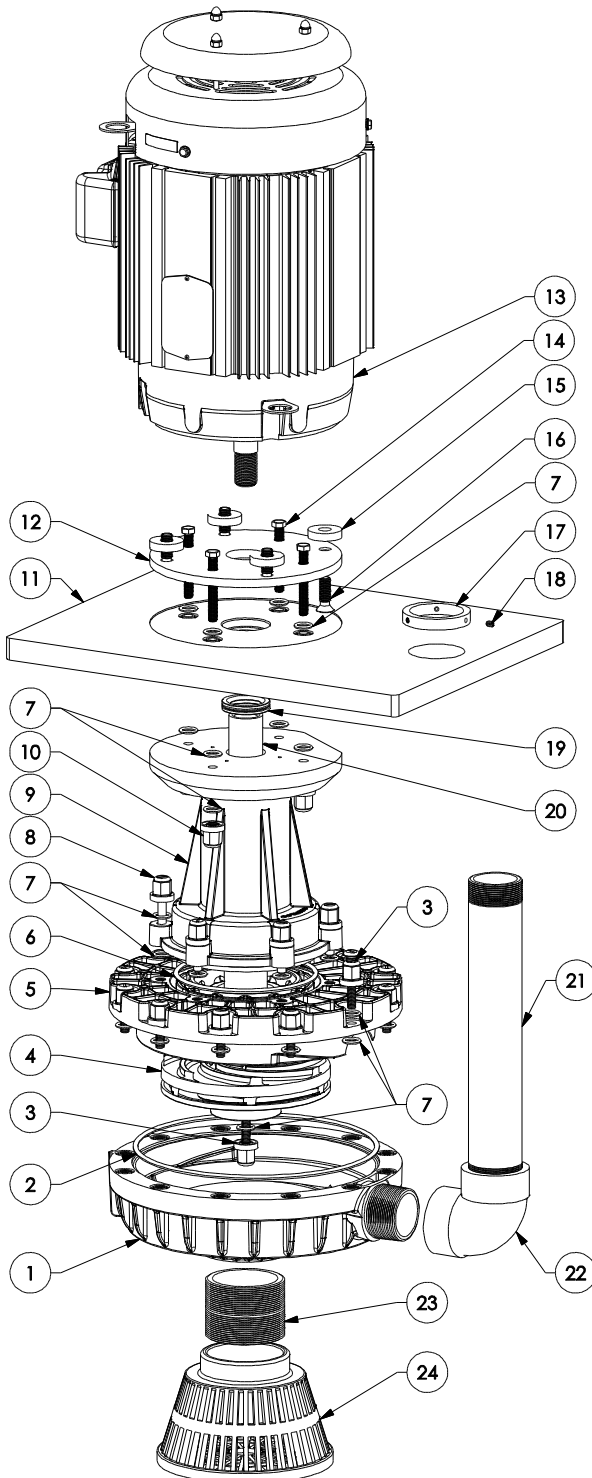
© 2014 Serfilco Ltd, All Rights Reserved.

SERFILCO®

Series 'EF' | Vertical Pumps

2900 MacArthur Blvd. Northbrook, IL. USA 60062 WWW.SERFILCO.COM (800) 323-5431

PARTS LIST
P-8780_C
5/20/2014
Page 1 of 1



NO	DESCRIPTION	QTY	CPVC	PP	PVDF	
1	Suction Casing	1	44-7801-C	44-7801-PP	44-7801-K	
2	O-Ring	1		22-0815 22-0846	22-0874 22-0875	
3	Cap Nut & Stud 3/8-16x1"	13	44-2687-4	44-2687-4PP	44-2687-4K	
4	Impeller	1	1SC, Ø5.25" 2SC, Ø5.75" 3SC, Ø6.625" 4SC, Ø7" 5SC, Ø7.5" 6SC, Ø4.75"	44-7825-1C 44-7825-2C 44-7825-3C 44-7825-4C 44-7825-5C 44-7825-6C	44-7825-1PP 44-7825-2PP 44-7825-3PP 44-7825-4PP 44-7825-5PP 44-7825-6PP	44-7825-1-K 44-7825-2-K 44-7825-3-K 44-7825-4-K 44-7825-5-K 44-7825-6-K
	LX		1SC, Ø5.25" 2SC, Ø5.75" 3SC, Ø6.625" 4SC, Ø7" 5SC, Ø7.5" 6SC, Ø4.75"	44-7826-1C 44-7826-2C 44-7826-3C 44-7826-4C 44-7826-5C 44-7826-6C	44-7826-1PP 44-7826-2PP 44-7826-3PP 44-7826-4PP 44-7826-5PP 44-7826-6PP	44-7826-1-K 44-7826-2-K 44-7826-3-K 44-7826-4-K 44-7826-5-K 44-7826-6-K
5	Support Casing	1	44-7811-C	44-7811-PP	44-7811-K	
6	O-Ring	1		22-0545 22-0544		
7	O-Ring	49		22-0569 22-0568		
8	Cap Nut & Stud 3/8-16x1 1/4"	6	44-2687-3	44-2687-3PP	44-2687-3K	
9	Column *	1	44-7860-C 44-7865-C	44-7860-PP 44-7865-PP	44-7860-K -	
10	Nut Cap	4	44-2682	44-6407	44-2682-1	
11	Mounting Plate	1	44-7850-P 44-7850-1P	44-7850-PP 44-7850-1PP	44-7850-P 44-7850-1P	
12	Motor Adapter Plate	1	SS	44-7870		
13	Motor	1	7.5Hp 3450/2850rpm TEFC 10Hp 3450/2850rpm 15Hp 3450rpm 7.5Hp, 1725rpm	66-1561 66-1534 66-1535 66-1356-B		
14	Bolt HEX 3/8-16x3"	4	SS	33-8062		
15	Motor Spacer	4	SS	44-3194-2		
16	Screw 1/2-13x1 1/2"	4	SS	11-0690		
17	Support Collar	1	44-2742-1	44-2742-1PP	44-2742-1	
18	Set Screw	3		11-0505		
19	Seal Vapor	1		22-0873		
20	Shaft Drive	1		44-7644 44-7644-T 44-7643 44-7643-T		
	LX			44-7643 44-7643-T		
21	Nipple TBE	1	2NPTx14" LX 2NPTx17"	33-6045 33-6045-2	33-6045-PP 33-6045-2PP	33-6045-K -
22	Elbow	1	2NPT	33-0997	33-0997-PP	33-0997-K
23	Suction Extension	1	Close Nipple 3NPT	33-1041 33-2295 33-2296 33-2297	33-1041-PP 33-2295-PP 33-2296-PP 33-2297-PP	33-1041-K 33-2295-K 33-2296-K 33-2297-K
24	Strainer	1	3NPT ECTFE	99-0745		- 99-1031

* Pumps manufactured before 2011 require longer bolts (item 14)

Product Bulletin	P-316
Operation & Service Guide	O-0985