



## HIGH DISCHARGE HEAD PERFORMANCE For transfer pumping and recirculation of:



Optional Pedestal Mounted

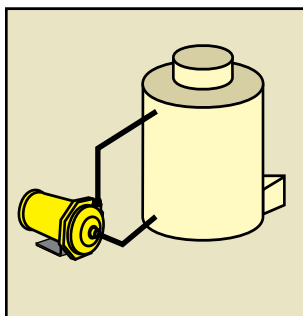
### D.I. WATER / PHOTO PROCESSING PLATING / ETCHING / ELECTRONICS WATER TREATMENT / ACID TRANSFER

- Flows to 68 U.S. GPM or 160 ft. TDH @ 60 Hz  
(215 LPM or 34m @ 50 Hz)
- **Non-metallic solution contact**  
CPVC - 160°F maximum  
PVDF - 200°F maximum  
(See a chemical resistance chart)
- **Single mechanical seal**  
Carbon/ceramic with EPDM or Viton elastomers
- **Connections:**  
1" MNPT inlet x 3/4" MNPT outlet
- **Maximum solid size - .15" (3.8 mm) outlet**

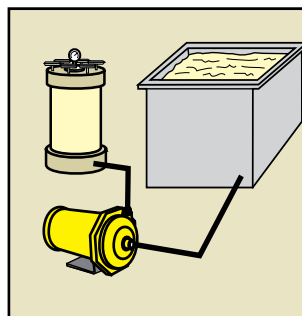
**Series 'HH' Pumps** are molded of natural CPVC or natural PVDF. They feature a volute designed for high TDH at high efficiency and all around optimum performance. The unique sleeved impeller design and non-metallic internally mounted mechanical seal combine to provide a compact assembly offering non-metallic solution contact.

Five impeller diameters provide a full range of flow and head performance with efficient use of motor horsepower. Motors are standard NEMA 56C, TEFC. For explosion-proof motors, consult Sales Department.

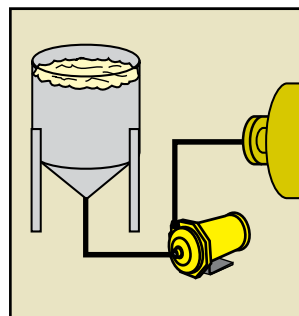
Pedestal mounted pump assemblies are available for ½ to 5 HP standard end bell motors. An optional long-coupled kit includes cast iron bearing, pedestal frame, flexible coupling, guard and FRP mounting channel.



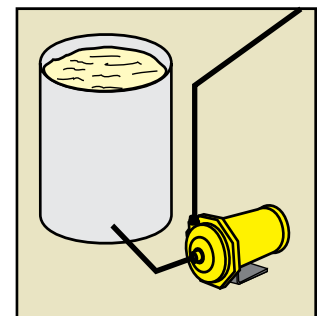
FUME  
SCRUBBER



FILTRATION  
SYSTEM



PROCESS  
SOLUTION



TRANSFER



# SERIES 'HH' | HORIZONTAL PUMPS

2900 MacArthur Blvd. Northbrook, IL. USA 60062 [www.serfilco.com](http://www.serfilco.com) (800) 323 - 5431

**TO ORDER, use Price Code No.**

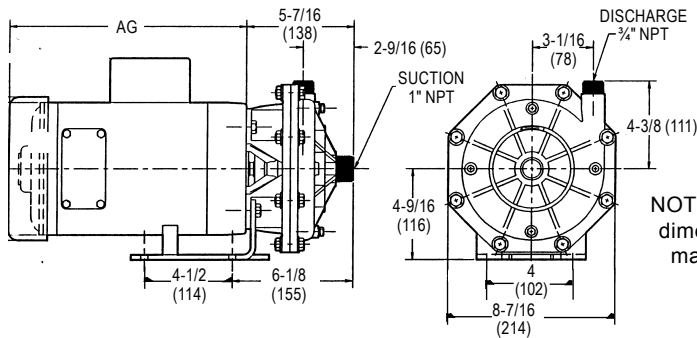
For standard pump-motor combination, select model from TABLE I.

For custom pump-motor combination, select from components in TABLE II.

**TABLE I** Select pump-motor model or flow curve number providing the desired performance.

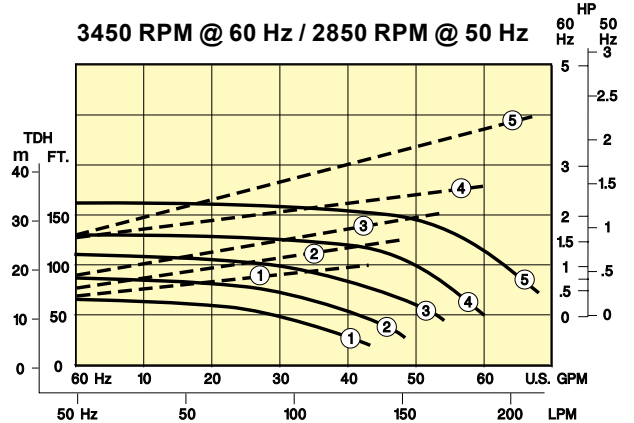
FLOW CURVE	CPVC PUMP w/EPDM MODEL NUMBER	PRICE CODE NO.
1	HH1x3/4C1L(M1)-D1.0	61-5111-G
2	HH1x3/4C2L(M1)-D1.5	61-5121-H
3	HH1x3/4C3L(M1)-D2.0	61-5131-J
4	HH1x3/4C4L(M1)-D3.0	61-5141-K
5	HH1x3/4C5L(M1)-D5.0	61-5151-M

**DIMENSIONS - Inches (mm)**



NOTE: Motor dimensions may vary

**3450 RPM @ 60 Hz / 2850 RPM @ 50 Hz**



HORSE-POWER	MOTOR DIMENSIONS (AG)	
	Inches	mm
1/2	8-3/4	222
3/4	9-1/4	235
1	9-3/4	248
1-1/2	10-1/2	267
2	11-1/8	282
3	12-3/8	314
5	13.4	340

**TABLE II** To determine pump model for a specified GPM, TDH, material and specific gravity, select performance point on curve. Determine required HP by moving vertically to corresponding number dotted line. Read the required HP at right ordinate and multiply by S.G. Select pump, impeller and motor and construct Model and Price Code No.

Typical Model: HH1x3/4C1L(M1)-D1.0 = Price Code No. 61-5111-G

PUMP <sup>1</sup>		
MODEL	MATERIAL	PRICE CODE NO.
HH1x3/4C	CPVC	61-51
HH1x3/4K	PVDF	61-52

IMPELLER	
CURVE NUMBER	ADD TO MODEL & PCN
1	1
2	2
3	3
4	4
5	5

"O"-RING & MECHANICAL SEAL		
CARBON / CERAMIC & EPDM VITON	ADD TO	
	MODEL	PCN
	L(M1)	1
	V(M2)	2

MOTOR - TEFC <sup>2</sup> , 3450 RPM @ 60 Hz						
HP	SINGLE PHASE <sup>4</sup>		THREE PHASE <sup>4</sup>		MOTOR <sup>3</sup> SHIP. WT.	
	ADD TO ...		ADD TO ...		Lbs.	kg.
	MODEL NO.	PRICE CODE NO.	MODEL NO.	PRICE CODE NO.		
.5	C.5	A	D.5	E	18	8
.75	C.75	B	D.75	F	22	10
1.0	C1.0	C	D1.0	G	27	12
1.5	C1.5	D	D1.5	H	32	14
2.0	C2.0	L	D2.0	J	37	17
3.0	—	—	D3.0	K	50	22
5.0	—	—	D5.0	M	70	32

<sup>1</sup> To order pump only ( without motor), delete motor suffix from Model Number and Price Code Number.

<sup>2</sup> For explosion-proof motors, consult Sales Department.

<sup>3</sup> For shipping weight of pump-motor assembly, add 5 lbs. (3 kg.) to motor ship. wt.

<sup>4</sup> Single phase - 115-208-230V/1/60 or 220-440V/1/50

Three phase - 208-230-460V/3/60 or 380-415V/3/50

For 50 Hz, add **-50** to Model No. and add **5** to Price Code No.

A DRI-STOP<sup>®</sup> 3 Pump Protector switch is available to prevent damage to pump due to dry operation. Consult Bulletin A-105.



# SERFILCO<sup>®</sup>

Chemical resistant pumps & filters engineered for industry

2900 MacArthur Blvd.  
Northbrook, IL. 60062-2005 U.S.A (800) 323-5431  
E-Mail: [sales@serfilco.com](mailto:sales@serfilco.com) (847) 509-2900  
Web: [www.serfilco.com](http://www.serfilco.com) (847) 559-1141

© 2021 SERFILCO Ltd, All Rights Reserved.

F.O.B. Northbrook, Illinois  
Specifications Subject to Change Without Notice.