

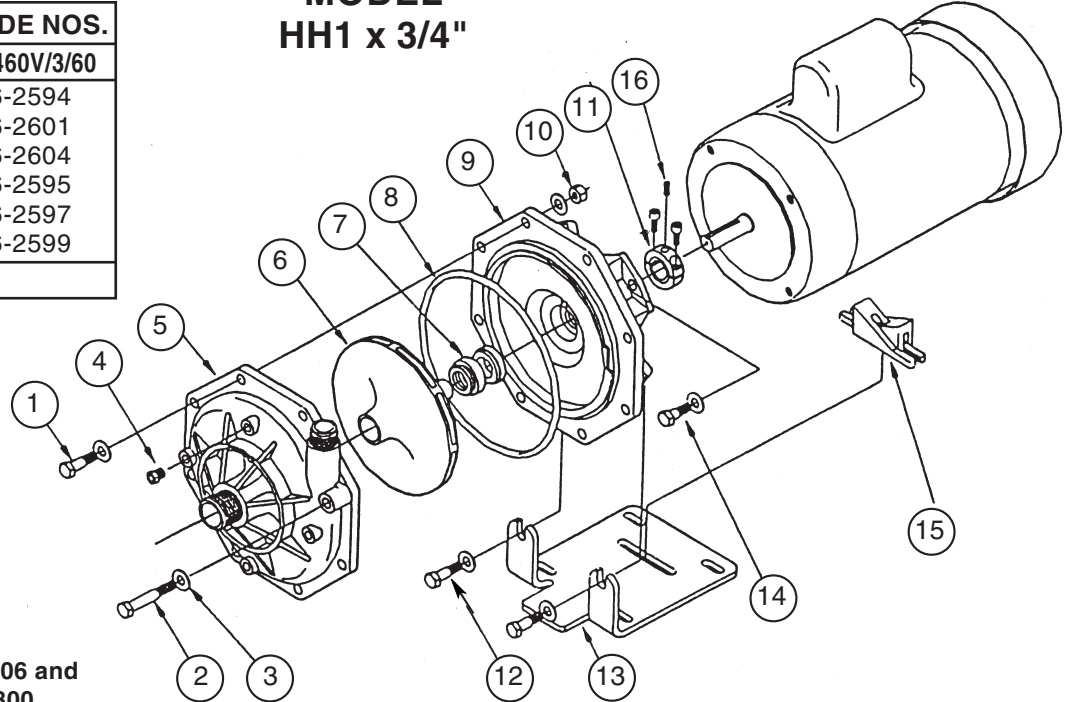


SERIES 'HH' HORIZONTAL PUMP

MODEL HH1 x 3/4"

HP	* MOTOR PRICE CODE NOS.	
	115-230V/1/60	230-460V/3/60
.5	66-2593	66-2594
.75	66-2600	66-2601
1	66-2603	66-2604
1.5	66-2605	66-2595
2	66-2596	66-2597
3	-	66-2599

* 3450 rpm TEFC



Refer to Bulletin P-206 and
Master Price List F-800.

ITEM	DESCRIPTION	PART NUMBERS	
		CPVC	PVDF
1	Hex head bolt, 3/8"-16 x 1½" long - 316SS (7 req'd)	11-0852	
2	Hex head bolt, 3/8"-16 x 2½" long - 316SS	11-0853	
3	Flat washer, 3/8" - 316SS (20 req'd)	11-0854	
4	Pipe plug, 1/8" - PVDF (2 req'd)	61-5002	
5	Volute	61-5000	61-5001
6	Impeller - 4.00" dia, curve #1 - 4.50" dia, curve #2 - 5.00" dia, curve #3 - 5.50" dia, curve #4 - 6.12" dia, curve #5	61-5003-1	61-5004-1
		61-5003-2	61-5004-2
		61-5003-3	61-5004-3
		61-5003-4	61-5004-4
		61-5003-5	61-5004-5
7	Mechanical seal - M2 (Viton) - M1 (EPDM)	61-5013	
		61-5012	
8	"O"-ring - EPDM - Viton	61-5005	
		61-5006	
9	Bracket	61-5007	61-5008
10	Nut, 3/8"-16 - 316SS (8 req'd)	11-0485	
11	Split collar	61-5010	
12	Hex head bolt, 3/8"-16 x 1" long - stainless steel	11-0375	
13	Base - steel	61-5009	
14	Hex head bolt, 3/8"-16 x ¾" long - stainless steel	11-0371	
15	Motor support (2 req'd)	61-5011	
16	Set screw, HD	11-2171	