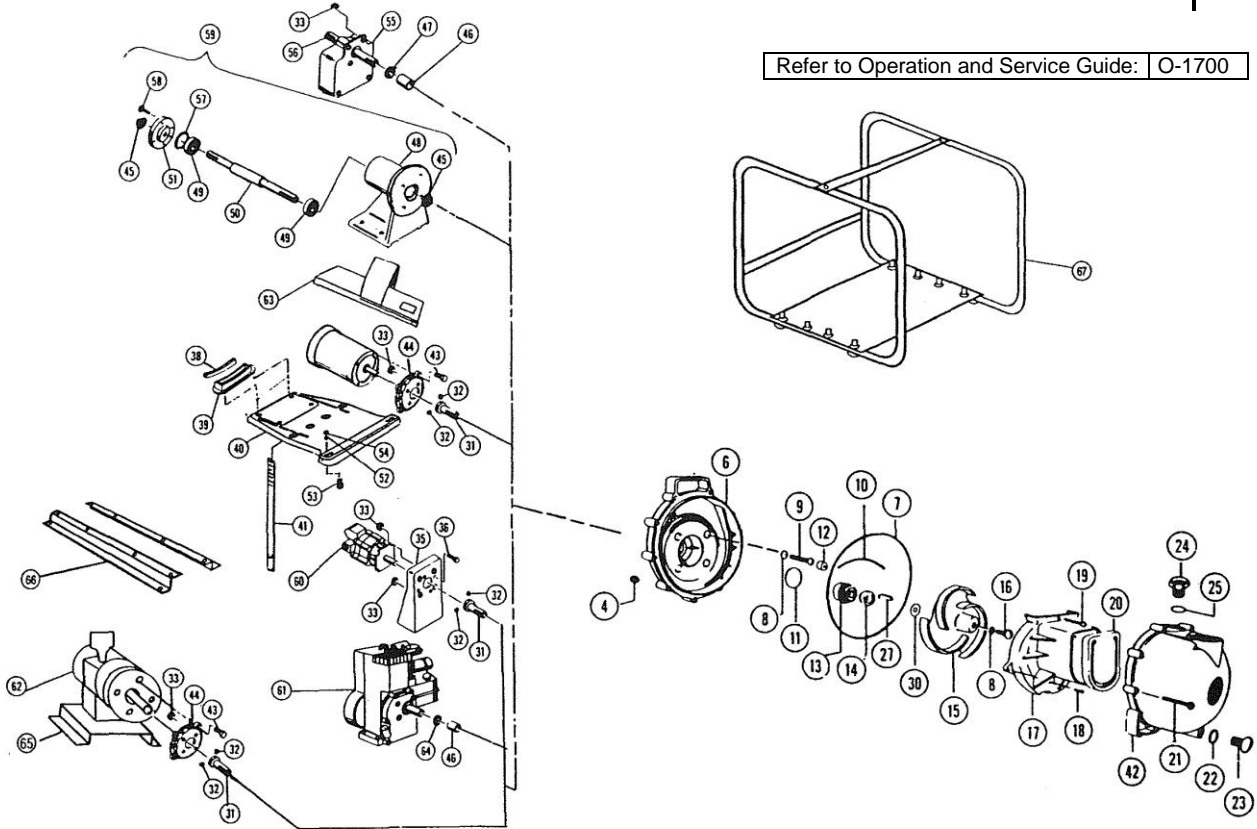


SERFILCO® SERIES 'S' | Self-Priming Centrifugal Pumps

2900 MacArthur Blvd. Northbrook, IL. USA 60062 WWW.SERFILCO.COM (800) 323-5431

PARTS LIST
P-9900_J
12/6/2012



NO.	PART #	DESCRIPTION	GROUPING	QTY
4	64-0721	NUTS, BODY, Plated Steel, 1/4"-20 hex		10
	64-0721 10	NUTS, BODY, Stainless Steel, 1/4" -20 hex		
6	64-0703 30B	BRACKET, polyester, black		1
	64-0703 40	BRACKET, polypropylene, gray		
	64-0703 60	BRACKET, Ryton, brown		
7	64-0719 71	"O" RINGS, SCREW, BUNA-N		
	64-0719 72	"O" RINGS, SCREW, EPDM		
	64-0719 73	"O" RINGS, SCREW, VITON		
8	64-0717 71	"O" RINGS, SCREW, BUNA-N		5
	64-0717 72	"O" RINGS, SCREW, EPDM		
	64-0717 73	"O" RINGS, SCREW, VITON		
9	64-0715 10	SCREWS, BRACKET, Stainless Steel for pumps close coupled to engine and cast ped mount, 5/16"-24 x 1.25" long		4
	64-0715 91	SCREWS, BRACKET, HASTELLOY, for pumps close coupled to engine and cast ped mount, 5/16"-24 x 1.25" long		
	64-0715 93	SCREWS, BRACKET, TITANIUM, for pumps close coupled to engine and cast ped mount, 5/16"-24 x 1.25" long		
	64-216710	SCREWS, BRACKET, Stainless Steel, for pumps pedestal mounted (plastic), close-coupled to electric, hydraulic or pneumatic motor, 5/16"-18 x 1.5"		
	64-0728 91	SCREWS, BRACKET, HASTELLOY, for pumps pedestal mounted (plastic), close-coupled to electric, hydraulic or pneumatic motor, 5/16"-18 x 1.5"		
	64-0728 93	SCREWS, BRACKET, TITANIUM, for pumps pedestal mounted (plastic), close-coupled to electric, hydraulic or pneumatic motor, 5/16"-18 x 1.5"		
10	64-0754 71	"O" RING SEGMENT, BUNA-N		
	64-0754 72	"O" RING SEGMENT, EPDM		
	64-0754 73	"O" RING SEGMENT, VITON		
11	64-0976 71	"O" RING SHAFT SEAL, BUNA-N		
	64-0976 72	"O" RING SHAFT SEAL, EPDM		
	64-0976 73	"O" RING SHAFT SEAL, VITON		

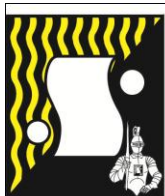
NO.	PART #	DESCRIPTION	GROUPING	QTY
12	64-0750 40 64-0750 90	PLUG, bracket screw protector (viton pumps only), polypropylene PLUG, bracket screw protector (ryton pumps only), Halar		
13 & 14	64-0714 11 64-0714 12 64-0714 14 64-0714 15 64-0714 92SG 64-0714 94SG 64-0891 92SG 64-0891 94SG 64-46250 11 64-46250 12 64-46250 13	SEAL, SHAFT, BUNA-N 316 Stainless Steel/carbon/ceramic SEAL, SHAFT, EPDM, 316 Stainless Steel/carbon/ceramic SEAL, SHAFT, CPI, Viton, 316 Stainless Steel, carbon/ceramic SEAL, SHAFT, CPI, HASTELLOY C, Teflon, silicon carbide SEAL, SHAFT, Non Metallic, Halar, EPDM, siliconized graphite SEAL, SHAFT, Non Metallic, Halar, Viton, siliconized graphite SEAL, SHAFT, Kynar, Polypro, Elgiloy, EPDM, silicon carbide SEAL, SHAFT, Kynar, Polypro, Elgiloy, Viton, silicon carbide SEAL, SHAFT, BUNA-N, 316 Stainless Steel, silicon carbide SEAL, SHAFT, EPDM, 316 Stainless Steel, silicon carbide SEAL, SHAFT, CP, Viton, 316 Stainless Steel, silicon carbide		
15	64-0704 30 64-0704 40 64-0704 60 64-0706 30 64-0706 40 64-0706 60 64-0774 30 64-0774 40 64-0774 60 64-0975 30 64-0975 40 64-0975 60 64-0667 30 64-0667 40 64-0667 60	IMPELLER, 3 Vane, Open .535" Wide, 5.5" Dia., Polyester IMPELLER, 3 Vane, Open .535" Wide, 5.5" Dia., Polypropylene IMPELLER, 3 Vane, Open .535" Wide, 5.5" Dia., Ryton IMPELLER, 5 Vane, .535" Wide, 5.5" Dia., Polyester IMPELLER, 5 Vane, .535" Wide, 5.5" Dia., Polypropylene IMPELLER, 5 Vane, .535" Wide, 5.5" Dia., Ryton IMPELLER, 4 Vane, .600" Wide, 4.75" Dia., Polyester IMPELLER, 4 Vane, .600" Wide, 5.5" Dia., Polypropylene IMPELLER, 4 Vane, .600" Wide, 5.5" Dia., Ryton IMPELLER, 4 Vane, .975" Wide, 4.75" Dia., Polyester IMPELLER, 4 Vane, .975" Wide, 4.75" Dia., Polypropylene IMPELLER, 4 Vane, .975" Wide, 4.75" Dia., Ryton IMPELLER, 3 Vane, .535" Wide, 4.75" Dia., Polyester IMPELLER, 3 Vane, .535" Wide, 4.75" Dia., Polypropylene IMPELLER, 3 Vane, .535" Wide, 4.75" Dia., Ryton	A A A A A A B B B C C C B B B	1
16	64-0716 10 64-0716 91 64-0716 93	SCREW, Impeller, Stainless Steel, 5/16"-24 x .75" long SCREW, Impeller, HASTELLOY C, 5/16"-24 x .75" long SCREW, Impeller, TITANIUM, 5/16"-24 x .75" long		4
17	64-0702 30 64-0702 60 64-0773 31 64-0773 32 64-0954 30 64-0954 60 64-0955 31 64-0955 32 64-0977 30 64-0977 60 64-0978 31 64-0978 32	VOLUTE, Flat polyester VOLUTE, Flat, Ryton VOLUTE, BUNA-N lined polyester VOLUTE, EPDM lined polyester VOLUTE, Flat polyester VOLUTE, Flat Ryton VOLUTE, BUNA-N lined polyester VOLUTE, EPDM lined polyester VOLUTE, Flat polyester VOLUTE, Flat Ryton VOLUTE, BUNA-N lined polyester VOLUTE, EPDM lined polyester	A A A A B B B B C C C C	1
18	64-0725 10 64-0725 91 64-0725 93	SCREW, Side Volute, Stainless Steel, #6-cc x .5" long SCREW, Side Volute, HASTELLOY C, #6-32 x .5" long SCREW, Side Volute, TITANIUM, #6-32 x .5" long		2
19	64-0771 10 64-0771 91 64-0771 93 64-0997 10 64-0997 91 64-0997 93	SCREW, Top Volute, Stainless Steel, #10-24 x 1.5" long SCREW, Top Volute, HASTELLOY C, #10-24 x 1.5" long SCREW, Top Volute, TITANIUM, #10-24 x 1.5" long SCREW, Top Volute, Stainless Steel, #10-24 x 1.5" long SCREW, Top Volute, HASTELLOY C, #10-24 x 1.5" long SCREW, Top Volute, TITANIUM, #10-24 x .5" long	A A A B,C B,C B,C	1
20	64-0705 71 64-0705 72 64-0705 73	CHECK VALVE, BUNA-N CHECK VALVE, EPDM CHECK VALVE, VITON		10
21	64-0720 64-0720 10	SCREWS, BODY, Plated Steel, 1/4"-20 x 2-3/8" long SCREWS, BODY, Stainless Steel, 1/4"-20 x 2-3/8" long		
22	64-1009 71 64-1009 72 64-1009 73	"O" RING, Drain Plug, BUNA-N "O" RING, Drain Plug, EPDM "O" RING, Drain Plug, Viton		1
23	64-1009 30 64-0723 40 64-0723 60	PLUG, Drain polyester, black PLUG, Drain Polypropylene, gray PLUG, Drain Ryton, brown		
24	64-0722 30B 64-0722 40 64-0722 60	PLUG, Filler polyester, black PLUG, Filler Polypropylene, gray PLUG, Filler, Ryton, brown		
25	64-0765 71 64-0765 72 64-0765 73	"O" RING SHAFT SEAL, BUNA-N "O" RING SHAFT SEAL, EPDM "O" RING SHAFT SEAL, VITON		1
27	64-0718 64-0718 10 64-0718 30 64-0718 91 64-0718 93	KEY, Steel KEY, 316 stainless steel KEY, Polyester KEY, HASTELLOY KEY, TITANIUM		4

NO.	PART #	DESCRIPTION	GROUPING	QTY.
30	64-0778 11 64-0778 12 64-0778 13	SHIM, .006", Stainless Steel SHIM, .006", Stainless Steel SHIM, .006", Stainless Steel	AS REQUIRED	
31	64-1014 10 64-1014 93 64-1165 10 64-1165 93	ADAPTER, Shaft, for close-coupled electric or pneumatic motor, Stainless Steel, .625" bore ADAPTER, Shaft, for close-coupled electric or pneumatic motor, TITANIUM, .625" bore ADAPTER, Stainless Steel, for hydraulic motor, .563" bore ADAPTER, TITANIUM for hydraulic motor, .563" bore		1
32	64-0883	SET SCREW, 1/4"-20 x .25" long, steel		2
33	64-0745	KEPNUTS, 5/16"-18, Plated Steel		4
35	64-1011 20	PEDESTAL, Hydraulic Motor, molded plastic		1
36	64-0729	SCREW, For mounting hydraulic, motor to be pedestal 5/16"-18 x 1.0" long, plated steel		4
38	64-1826 71	PAD, Rubber Saddle		
39	64-1828 90 64-1825 90	SADDLE, Electric Motor, 6-3/4" Diameter motor SADDLE, 5-3/8" Diameter motor		
40	64-1823 40	BASEPLATE, For pumps close-coupled to electric motors, plastic		
41	64-0934 10	STRAP, For close-coupled electric motor stainless steel		
42	64-1001 30B 64-1001 40 64-1001 60 64-1002 30B 64-1002 40 64-1002 60 64-0755 30B 64-0755 40 64-0755 60 64-0943 30B 64-0784 30B 64-0877 30B	BODY, 1 1/2", NPT polyester, black BODY, 1 1/2", Polypropylene, gray BODY, 1 1/2", Ryton, brown BODY, 2", NPT polyester, black BODY, 2", Polypropylene, gray BODY, 2", Ryton, brown BODY, 3", NPT polyester, black BODY, 3", Polypropylene, gray BODY, 3", Ryton, brown BODY, 1 1/2", BSP polyester, black BODY, 2", BSP polyester, black BODY, 3", BSP polyester, black		1
43	64-1015	SCREW, Hex Head Cap, 3/8"-16 x 1.25" long, plated steel		
44	64-1010 20	ADAPTER, Motor, for pump close-coupled to electric or Pneumatic motor, molded plastic		4
45	64-1955 71 64-1955 73	SEAL, lip, .710" ID, BUNA-N SEAL, lip, .710" ID, Viton		2
46	64-0882 90	SHAFT, SLEEVE, polyethylene		
47	64-0884 71	SLINGER, BUNA-N		1
48	64-1951 90	HOUSING, Bearing, Cast Metal		
49	64-1954 90	BEARING, Ball, .787" ID		2
50	64-1952 10 64-1952 91 64-1952 93	SHAFT, Stainless steel, .75" SHAFT, .75", HASTELLOY SHAFT, .75", TITANIUM		1
51	64-1953 10	PLATE, end, Stainless steel		
52	64-0730	FLAT WASHER, .563", Plated steel		
53	64-0729	SCREW, Plated, 5/16"-18 x 1"		2
54	64-0745	KEPNUT, 5/16"-18, Plated steel		
55 & 56	64-0759 20 64-0777 64-0777 10 64-0777 93	BEARING PEDESTAL, Molded Plastic BEARING SHAFT ASSEMBLY, Standard, carbon steel BEARING SHAFT ASSEMBLY, With Stainless steel shaft sleeve BEARING SHAFT ASSEMBLY, With Titanium shaft sleeve		1
57	64-1956 10	SHIM, Bearing Shaft, Cast Metal Pedestal, .006" thick	As Required	
58	64-2525 10	SCREW, Hex, 1/4"-20 x 3/4", Stainless steel		4
59	64-1950 01 64-1950 01H 64-1950 01T	BEARING & PEDESTAL ASSEMBLY WITH 3/4" STAINLESS STEEL Shaft (includes items 45, 48, 49, 50, 51, 57 & 58) BEARING & PEDESTAL ASSEMBLY WITH 3/4" HASTELLOY Shaft (includes items 45, 48, 49, 50, 51, 57 & 58) BEARING & PEDESTAL ASSEMBLY WITH 3/4" TITANIUM Shaft (includes items 45, 48, 49, 50, 51, 57 & 58)		1
61	64-0633 64-0633 64-0633A 64-0634 64-0635 64-0635A 64-0635H 64-0967 64-0648A 64-0648V 64-0653	MOTOR, Hydraulic ENGINE, B&S, 3 HP, Recoil start ENGINE, B&S, 3 HP I/C Recoil Start ENGINE, B&S, 3.5 HP, Recoil Start ENGINE, B&S, 5 HP Recoil Start ENGINE, B&S, 5 HP, I/C Recoil Start ENGINE, HONDA, 5.5 HP Recoil Start ENGINE, Tecumseh, 8 HP, Recoil Start ENGINE, B&S, 8 HP, I/C Recoil Start, for flex-coupling only ENGINE, B&S 9 HP, OHV, Recoil Start, for flex-coupling only ENGINE, Wisconsin Robin, 5.5 HP diesel, Recoil Start		1

NO.	PART #	DESCRIPTION	GROUPING	QTY.
62	64-0926	MOTOR, Pneumatic		1
63	64-0028 64-0016	BASE PLATE KIT, Std. duty. Call factory for details BASE PLATE KIT, Heavy Duty. Call factory for details		
64	64-0885 72 64-0881 72	GASKET, ENGINE PROTECTION, EPDM, 3 h.p. only GASKET, ENGINE PROTECTION, EPDM, 5 h.p. only		
65	64-0929	BASE PLATE, for pumps close-coupled to pneumatic motor		
66	64-0002	BASE RUNNER KIT, two Steel Rails with Fasteners		
67	64-0008	ROLL CAGE KIT, Shipped Knocked Down, 1 per carton		

WISCONSIN ROBIN DIESEL MOUNTED PUMP PARTS LIST ANNENDUM

PART #	DESCRIPTION	QTY.
64-0726 90	PLASTIC FINISHING CAP	2
64-0727 90	RUBBER FOOT	4
64-0729	SCREW, Plated Steel, 5/16-18 x 1"	8
64-0730	WASHER, Plated Steel	
64-0745	KEPNUT, Plated Steel, 5/16-18	16
64-0871	SCREW, Plated Steel, 5/16"-18 x 2"	8
64-2035	CARRYING HANDLE	1
64-2036	SQUARE BEND U-BOLT 3/8-16	
64-2037	HEX NUT, 3/8-16	4
64-2164	PUMP SUPPORT	1
64-46310	CHASSIS WELDMENT	



SERFILCO®

2900 MacArthur Blvd.
Northbrook, IL. 60062-2005
U.S.A.
www.serfilco.com

(800) 323-5431
(847) 509-2900
Fax: (847) 559-1141
sales@serfilco.com