

MicroVantage™ SFH Series

Sanitary Filter Housings

MicroVantage Ultra Premium Filter Series



- Designed for critical applications requiring high purity and durability
- All wetted parts are 316L Stainless Steel electro-polished with standard 25RA internal finish and 32RA external finish.
- In-line single cartridge design
 - Tri-clamp closure for easy cartridge change-outs
 - Ideal for vent applications
- T-style housing design
 - Available for 1 through 21 cartridges
 - Tri-clamp closure for single cartridge housing
 - Swing bolt closures for rugged design and secure sealing
 - Removable bottom seal plate allows ease of cleaning
- Available with 226 or 222 style cartridge connectors
- 1 1/2" TC Gauge Port and 1/2" TC vent and drains are standard
- Optional Sanitary Twist Valve is available for easy sampling of process fluid

Applications

| | |
|-----------------|-----------------|
| Ultrapure Water | Food & Beverage |
| Fine Chemicals | Wine/Beer |
| Electronics | Vent |
| Pharmaceuticals | DI Water |

Specifications

Maximum Operating Pressure

150 psig (10.3 bar) @ 225° F (107° C)

Inlet and Outlet Connections

Inlet /Outlet: Tri- Clamp

Drain Ports: 1/2" Tri-Clamp

Gauge Port with Vent: 1 1/2" Tri-Clamp with
1/2" Tri-Clamp

Materials of Construction

Head and Shell: 316L Stainless Steel

Connections: 316L Stainless Steel

Closure: 316L Stainless Steel

Mounting Legs: 316L Stainless Steel

Gaskets

Silicone

Optional: EPR, Viton, Teflon, Teflon Encapsulated
Silicone and Teflon Encapsulated Viton

Finish

Internal surfaces: 25RA Electro-polished

External surfaces: 32RA Electro-polished

Cartridge Type

222 or 226 cartridges (maximum 2 3/4" OD)

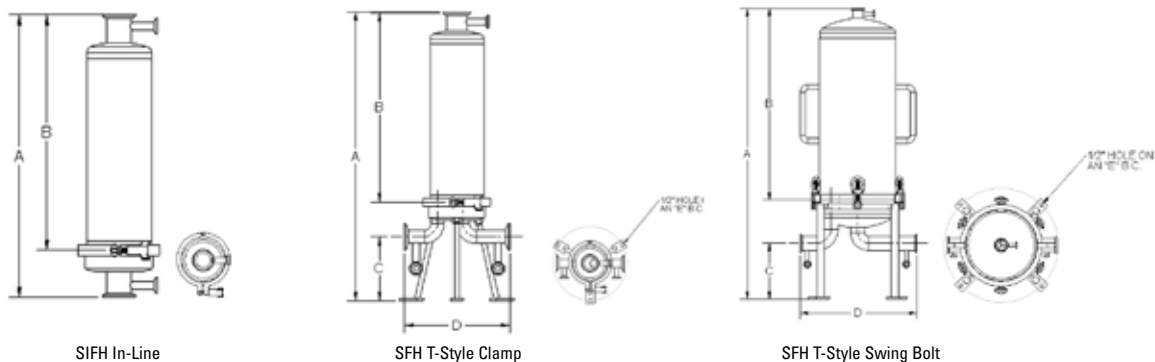
Custom Options

Sanitary Twist Valve's for vent and drains

See Ordering Guide for complete listing

| MODEL | QUANTITY (LENGTH) OF CARTRIDGES | INLET/OUTLET | DRAINS | GAUGE PORTS/VENT | MAXIMUM DIAMETER CARTRIDGE | DIMENSIONS | | | | |
|--------|---------------------------------|--------------|---------|-------------------|----------------------------|----------------------|----------------------|-------------------|--------------------|---------------------|
| | | | | | | A | B | C | D | E |
| 1SIFH5 | 1 (5") | 1.5" TC | 1/2" TC | - | 2 3/4" | 17 7/16" (44.3 cm) | 7" (17.8 cm) | - | - | - |
| 1SIFH1 | 1 (10") | 1.5" TC | 1/2" TC | - | 2 3/4" | 21 7/16" (54.5 cm) | 11" (27.9 cm) | - | - | - |
| 1SIFH2 | 1 (20") | 1.5" TC | 1/2" TC | - | 2 3/4" | 31 1/4" (79.4 cm) | 20 7/8" (53.0 cm) | - | - | - |
| 1SIFH3 | 1 (30") | 1.5" TC | 1/2" TC | - | 2 3/4" | 41 1/8" (104.5 cm) | 30 3/4" (78.1 cm) | - | - | - |
| 1SIFH4 | 1 (40") | 1.5" TC | 1/2" TC | - | 2 3/4" | 50 15/16" (129.4 cm) | 40 9/16" (103.0 cm) | - | - | - |
| 1SFH5 | 1 (5") | 1" TC | 1/2" TC | 1.5" TC / 1/2" TC | 2 3/4" | 17 1/2" (44.5 cm) | 10 7/32" (26.0 cm) | 4 3/4" (12.1 cm) | 7 7/8" (20.0 cm) | 8 21/32" (22.0 cm) |
| 1SFH1 | 1 (10") | 1" TC | 1/2" TC | 1.5" TC / 1/2" TC | 2 3/4" | 21 1/2" (54.6 cm) | 14 7/32" (36.1 cm) | 4 3/4" (12.1 cm) | 7 7/8" (20.0 cm) | 8 21/32" (22.0 cm) |
| 1SFH2 | 1 (20") | 1" TC | 1/2" TC | 1.5" TC / 1/2" TC | 2 3/4" | 31 1/2" (80.0 cm) | 24 7/32" (61.5 cm) | 4 3/4" (12.1 cm) | 7 7/8" (20.0 cm) | 8 21/32" (22.0 cm) |
| 1SFH3 | 1 (30") | 1" TC | 1/2" TC | 1.5" TC / 1/2" TC | 2 3/4" | 41 1/2" (105.4 cm) | 34 7/32" (86.9 cm) | 4 3/4" (12.1 cm) | 7 7/8" (20.0 cm) | 8 21/32" (22.0 cm) |
| 1SFH4 | 1 (40") | 1" TC | 1/2" TC | 1.5" TC / 1/2" TC | 2 3/4" | 51 1/2" (130.8 cm) | 44 7/32" (112.3 cm) | 4 3/4" (12.1 cm) | 7 7/8" (20.0 cm) | 8 21/32" (22.0 cm) |
| 3SFH2 | 3 (20") | 2" TC | 1/2" TC | 1.5" TC / 1/2" TC | 2 3/4" | 39 1/2" (100.3 cm) | 25 5/8" (65.1 cm) | 7 3/8" (18.7 cm) | 13 3/8" (34.0 cm) | 14 7/16" (36.6 cm) |
| 3SFH3 | 3 (30") | 2" TC | 1/2" TC | 1.5" TC / 1/2" TC | 2 3/4" | 49 3/8" (125.4 cm) | 31 1/2" (80.0 cm) | 7 3/8" (18.7 cm) | 13 3/8" (34.0 cm) | 14 7/16" (36.6 cm) |
| 3SFH4 | 3 (40") | 2" TC | 1/2" TC | 1.5" TC / 1/2" TC | 2 3/4" | 59 3/16" (150.3 cm) | 41 3/8" (105.1 cm) | 7 3/8" (18.7 cm) | 13 3/8" (34.0 cm) | 14 7/16" (36.6 cm) |
| 5SFH3 | 5 (30") | 2" TC | 1/2" TC | 1.5" TC / 1/2" TC | 2 3/4" | 50 7/16" (128.1 cm) | 31 1/2" (80.0 cm) | 7 7/8" (20.0 cm) | 15 3/4" (40.0 cm) | 16 13/16" (42.7 cm) |
| 5SFH4 | 5 (40") | 2" TC | 1/2" TC | 1.5" TC / 1/2" TC | 2 3/4" | 60 1/4" (153.0 cm) | 41 5/16" (104.9 cm) | 7 7/8" (20.0 cm) | 15 3/4" (40.0 cm) | 16 13/16" (42.7 cm) |
| 7SFH3 | 7 (30") | 2" TC | 1/2" TC | 1.5" TC / 1/2" TC | 2 3/4" | 50 3/4" (128.9 cm) | 31 1/2" (80.0 cm) | 7 7/8" (20.0 cm) | 16 9/16" (42.1 cm) | 17 3/4" (45.1 cm) |
| 7SFH4 | 7 (40") | 2" TC | 1/2" TC | 1.5" TC / 1/2" TC | 2 3/4" | 60 9/16" (153.8 cm) | 41 5/16" (104.9 cm) | 7 7/8" (20.0 cm) | 16 9/16" (42.1 cm) | 17 3/4" (45.1 cm) |
| 12SFH3 | 12 (30") | 3" TC | 1/2" TC | 1.5" TC / 1/2" TC | 2 3/4" | 49 5/16" (125.2 cm) | 34 11/16" (88.1 cm) | 6 1/16" (15.4 cm) | 18 1/2" (47.0 cm) | 19 7/16" (49.3 cm) |
| 12SFH4 | 12 (40") | 3" TC | 1/2" TC | 1.5" TC / 1/2" TC | 2 3/4" | 59 5/16" (150.6 cm) | 44 11/16" (113.5 cm) | 6 1/16" (15.4 cm) | 18 1/2" (47.0 cm) | 19 7/16" (49.3 cm) |

Dimensions



Ordering Guide (Example: 7SFH3-SB226-2TC25-11S)

| 7SFH | 3 | - | SB | 226 | - | 2TC | 25 | - | 1 | 1 | S |
|--|--|-------------------------------------|--|--|----------------------|--|---|--|---|---|---|
| MODEL & NUMBER OF COLUMNS | LENGTH OF CARTRIDGES | CLOSURE STYLE | CARTRIDGE CONNECTOR | CONNECTION | INTERNAL RA FINISH++ | VENT | DRAIN | GASKET | | | |
| 1SIFH | 5 = 5" 1 = 10" 2 = 20" 3 = 30" 4 = 40" | C = Tri-Clamp | 222 = 222 Style Cartridge 226 = 226 Style Cartridge | 1.5TC = 1.5" TC | 25 | N = None 1 = 1/2" TC ferrule with solid end caps and 1 1/2" TC gauge port | N = None 1 = 1/2" TC ferrules with solid end caps 2 = 1/2" TC ferrules with sanitary twist valves | S = Silicone (standard) E = EPR V = Viton TS = Teflon Encapsulated Silicone TV = Teflon Encapsulated Viton | | | |
| 1SFH 3SFH 5SFH 7SFH 12SFH 21SFH | 5 = 5" 1 = 10" 2 = 20" 3 = 30" 4 = 40" | C = Tri-Clamp ** SB = Swing Bolt | 222 = 222 Style Cartridge 226 = 226 Style Cartridge | 1TC = 1" TC + 2TC = 2" TC + 3TC = 3" TC + 4TC = 4" TC + | 25 | 2 = 1/2" TC ferrules with sanitary twist valve 1 1/2" TC gauge port | | | | | |

* 5" length available in 1SIFH and 1SFH models. ** Tri-clamp closure and 1" TC connections only available on 1SFH models.

+ Standard connection sizes are: 2" TC for 3SFH, 5SFH and 7SFH models. 3" TC for 12SFH models and 4" TC for 21SFH models. ++ Contact factory for alternate finishes.

Customization

Housings may be customized to meet your precise requirements. Contact Shelco's technical support staff or your distributor for more information.