



SPACE-SAVER 'J' | FILTRATION SYSTEMS®

COMPACT, HIGH FLOW FILTRATION, CARBON OR RESIN PURIFICATION

The SERFILCO Space-Saver 'J' Series is engineered to provide reliable, high performance filtration in a small package.

These compact pump and filter systems are popular for use on medium sized production tanks in the electronics and metal finishing industries.

Featuring SERFILCO's non-metallic, leak-proof magnetic coupled pumps and industry proven Series 'J' filter chambers, these systems provide high flow and high turnover rates, assuring continuous particle removal. Space-Saver 'J' systems are available with or without a carbon or resin purification chamber.

- **Choice of pump**

Seal-less magnetic drive pumps:

Highly efficient seal-less magnetic coupled pumps provide total solution containment and reliable performance. The pumps are polypropylene with EPDM "O"-ring.

Mechanical seal pumps:

Single or double mechanical seals constructed of CPVC with EPDM elastomers and the highest grade, longest lasting silicon carbide seal faces.

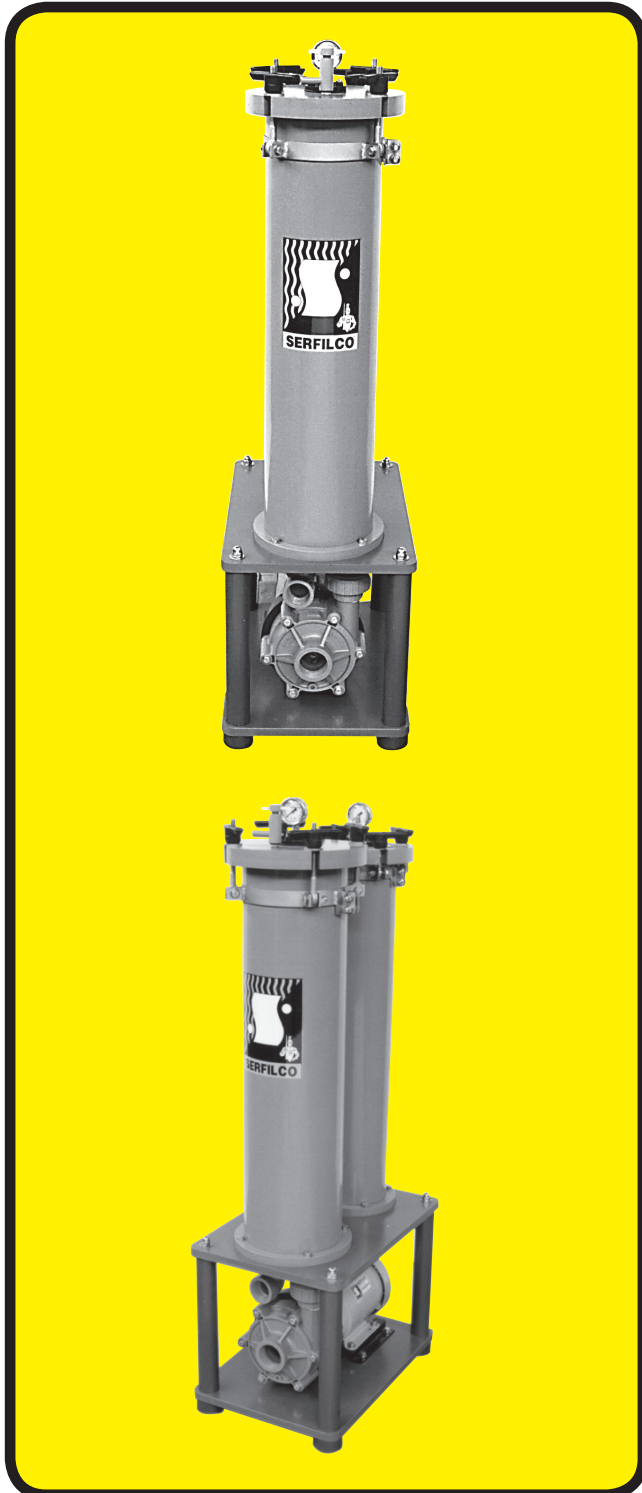
- **Filter chamber**

Constructed of PVC or CPVC with EPDM elastomers to ensure chemical and temperature compatibility.

The standard chamber accepts double open end (DOE) depth wound, pleated, melt blown, cleanable sleeve and carbon cartridges. A 222 "O"-ring seat for single open end (SOE) cartridges is available.

- **Simple carbon or resin treatment**

Space-Saver 'J' systems are also available with optional purification chambers in PVC or CPVC with reusable PVC canister offering a low-cost, but effective method of continuously or periodically removing organic impurities from plating baths and other chemical

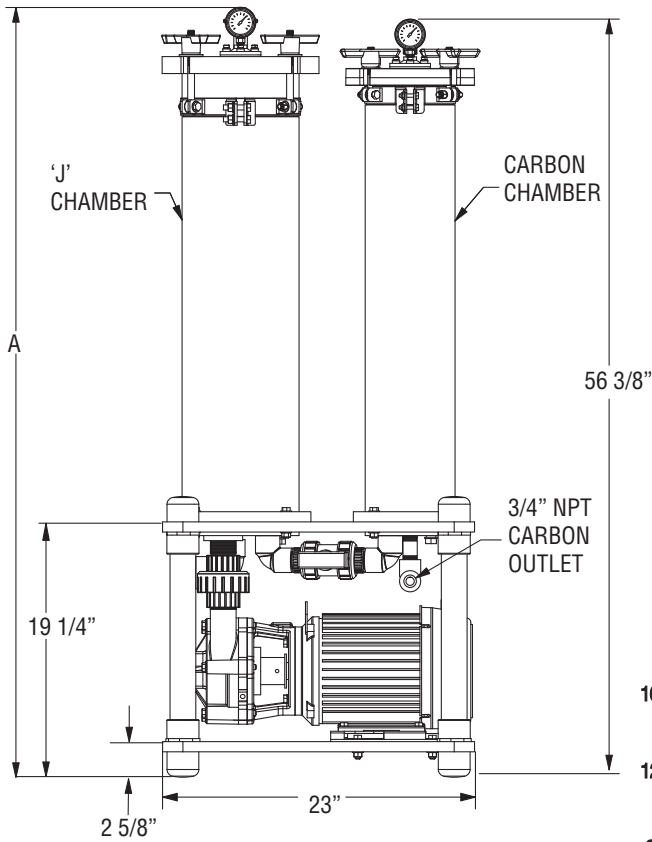


SERFILCO — worldwide leader in service, dependability and design for over 40 years!

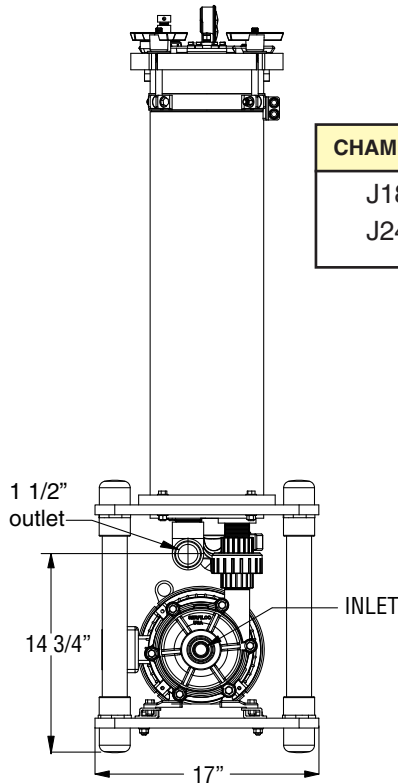
SPACE-SAVER 'J' FILTRATION SYSTEMS Specifications and performance

DIMENSIONS

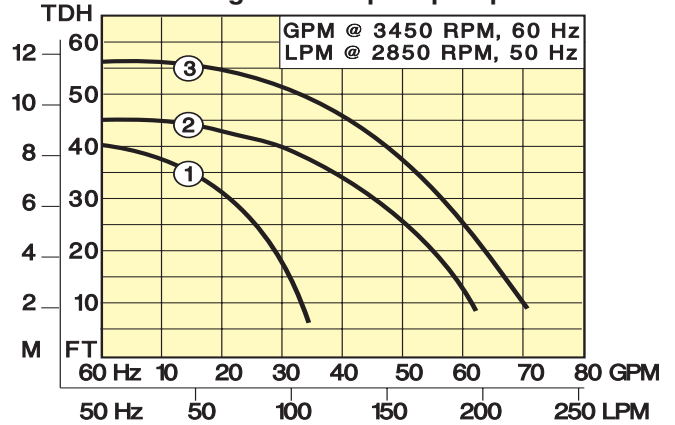
FLOW CURVES



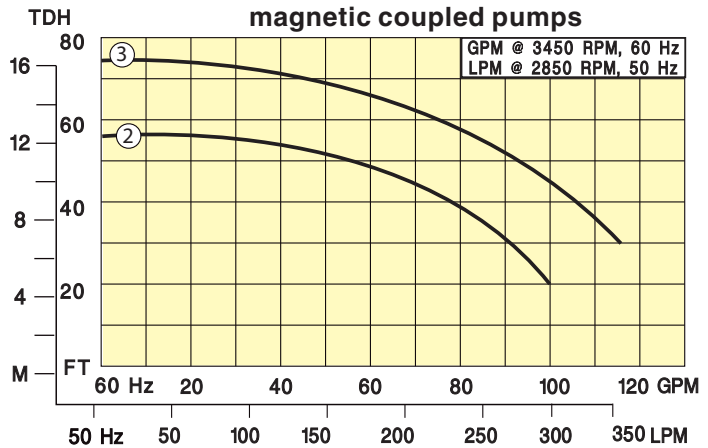
CHAMBER	A
J18	57 1/8"
J24	67 1/8"



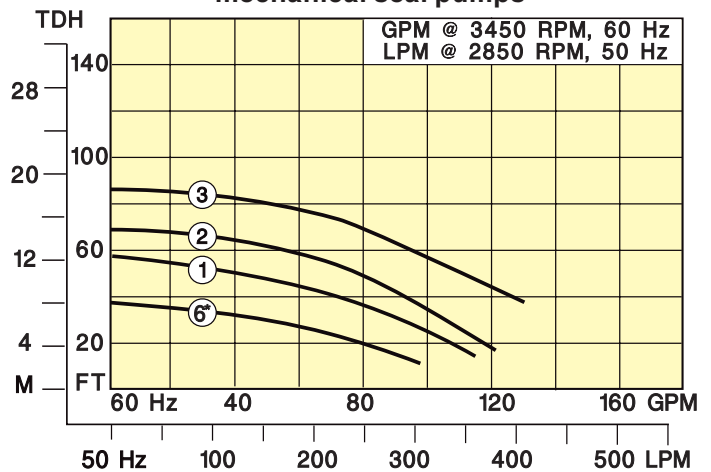
MODELS M 1, 2 & 3
magnetic coupled pumps



MODELS FE 2 & 3
magnetic coupled pumps



MODELS HE 6, 1, 2 & 3
mechanical seal pumps



* 1.0 HP 'HE' pump is 1725 RPM @ 60 Hz, 1450 RPM @ 50 Hz

SPACE-SAVER 'J' FILTRATION SYSTEMS Specifications (continued)

All Space-Saver 'J' systems include the following standard features:

- Non-metallic solution contact
- Stainless steel external fasteners
- Swing bolt chamber closures
- EPDM elastomers standard
- Corrosion resistant PVC hooded base
- Corrosion resistant vent valve
- Industrial duty SERFILCO pump
- Hard piping and wet testing prior to shipping
- Glycerin filled stainless steel pressure gauge
- Silicon carbide seals on mechanical seal pumps
- Filter chamber bottom inlet for low pressure drop

Systems with polypropylene magnetic drive pump and CPVC or PVC¹ filter chamber

System Number	Flow Rate		Pump Series	Pump HP ³	Pump Max. PSI	Cartridge Change PSI	Filter Chamber Series	Media	Solids Area (sq. ft.)	Suction / Disch. Connections (inches)	Shipping Weight (lbs.)
	GPH @ 60 Hz	LPH @ 50 Hz									
CJ18M105	1,800	5,700	M	½	20	16	J	6 - 30"	63	1 x 1 FNPT	130
CJ24M105	1,800	5,700	M	½	20	16	J	6 - 40"	84	1 x 1 FNPT	140
CJ18M208	2,700	8,500	M	¾	24	20	J	6 - 30"	63	1½ x 1½ FNPT	135
CJ24M208	2,700	8,500	M	¾	24	20	J	6 - 40"	84	1½ x 1½ FNPT	145
CJ18M310	3,600	11,300	M	1.0	28	23	J	6 - 30"	63	1½ x 1½ FNPT	145
CJ24M310	3,600	11,300	M	1.0	28	23	J	6 - 40"	84	1½ x 1½ FNPT	155
CJ18FE215	4,700	14,800	FE	1.5	25	24	J	6 - 30"	63	2 x 1½ FNPT	155
CJ24FE215	4,700	14,800	FE	1.5	25	24	J	6 - 40"	84	2 x 1½ FNPT	165
CJ18FE320	5,000	17,300	FE	2.0	32	30	J	6 - 30"	63	2 x 1½ FNPT	170
CJ24FE320	5,000	17,300	FE	2.0	32	30	J	6 - 40"	84	2 x 1½ FNPT	180

Systems with CPVC single or double seal² direct drive pump and CPVC or PVC¹ filter chamber

System Number	Flow Rate		Pump Series	Pump HP ³	Pump Max. PSI	Cartridge Change PSI	Filter Chamber Series	Media	Solids Area (sq. ft.)	Suction / Disch. Connections (inches)	Shipping Weight (lbs.)
	GPH @ 60 Hz	LPH @ 50 Hz									
CJ18HE610	3,000	9,500	HE	1.0 ⁴	16	14	J	6 - 30"	63	2 x 1½ FNPT	155
CJ24HE610	3,000	9,500	HE	1.0 ⁴	16	14	J	6 - 40"	84	2 x 1½ FNPT	165
CJ18HE115	4,500	14,200	HE	1.5	24	19	J	6 - 30"	63	2 x 1½ FNPT	155
CJ24HE115	4,500	14,200	HE	1.5	24	19	J	6 - 40"	84	2 x 1½ FNPT	165
CJ18HE220	5,500	17,300	HE	2.0	29	26	J	6 - 30"	63	2 x 1½ FNPT	145
CJ24HE220	5,500	17,300	HE	2.0	29	26	J	6 - 40"	84	2 x 1½ FNPT	155
CJ18HE330	6,000	18,900	HE	3.0	36	32	J	6 - 30"	63	2 x 1½ FNPT	150
CJ24HE330	6,000	18,900	HE	3.0	36	32	J	6 - 40"	84	2 x 1½ FNPT	160

¹ Listed system includes CPVC chamber. To order system with PVC chamber, change the **C** to **P** in System No.

² To order pump with double mechanical seal, change **HE** to **HED** in System No.

³ Less than 1.0 HP — single phase standard. 1.0 HP and above — three phase standard.

⁴ 1.0 HP 'HE' pump is 1725 RPM @ 60 Hz, 1450 RPM @ 50 Hz

SPACE-SAVER 'J' FILTRATION SYSTEMS Optional equipment

OPTIONAL

CARBON PURIFICATION CHAMBER		
DESCRIPTION		ADD TO END OF SYSTEM NO.
Includes integral carbon chamber and flow control valve. Carbon outlet 3/4" NPT	PVC chamber, Single 5" x 28" canister, 7.5 lbs. capacity	P
	CPVC chamber, Single 5" x 28" canister, 7.5 lbs. capacity	C
	CPVC chamber, Single 5" x 28" Maxi-Carb cartridge, 3.0 lbs. carbon	M

Order carbon media from Bulletin M-305.

VITON® ELASTOMERS	ADD TO END OF SYSTEM NO.
Filter chamber and pump	V

MOTOR STARTERS		
NEMA 4X Watertight push button (mounted and wired)		PRICE CODE NO.
Add -S to motor starter Price Code No. when ordering motor starter for use with DRI-STOP® Pump Protector IMPORTANT: Specify operating voltage	115 - 230V/1/50-60	O-MS1P
	230 - 460V/3/50-60	O-MS3P

DRI-STOP® PUMP PROTECTOR	
DRI-STOP 2R for use with double mechanical seal pump.	O-2DS2R
DRI-STOP 3 for use with magnetic drive or single mechanical seal pump.	O-DS3C

OPERATING VOLTAGE	
1 horsepower and above - Single phase	O-1PH
Under 1 horsepower - Three phase	O-3PH

50 Hz OPERATION	
Single phase @ 50 Hz	O-150H
Three phase @ 50 Hz	O-350H

F.O.B. Northbrook, Illinois

Specifications subject to change without notice.

Registered trademark: Viton - DuPont Dow Elastomers



SERFILCO®

2900 MacArthur Blvd. 847-509-2900
 Northbrook, IL 60062-2005 U.S.A. 800-323-5431
 e-mail: sales@serfilco.com FAX: 847-559-1141
 www.serfilco.com

DISTRIBUTED BY