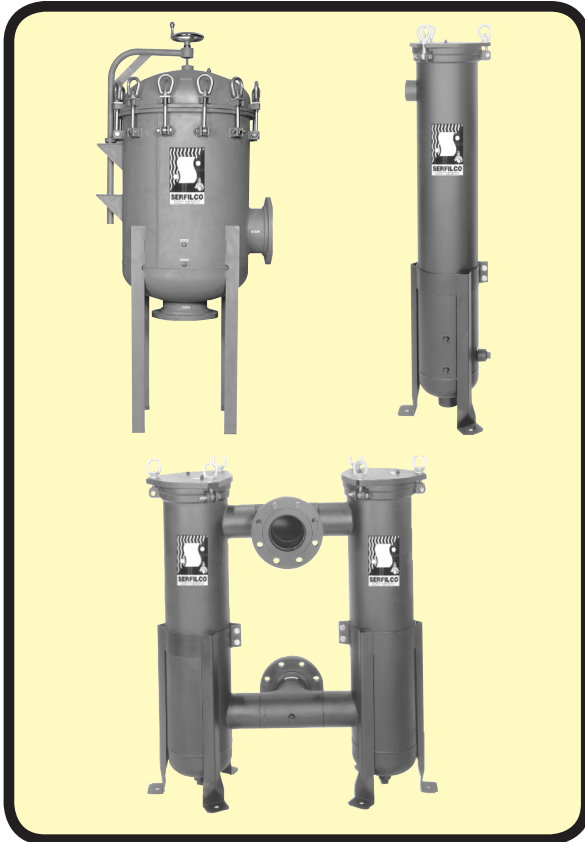




SERIES 'K' FILTER CHAMBERS



PROCESS WATER / CLEANERS PARTS WASHERS / CHEMICALS

- Carbon steel, 304 or 316 stainless steel construction
- Large capacity
 - 448 cartridge
 - 26.4 sq.ft multi-bag
- 150 PSI OR 300 PSI pressure rating
- Swing bolt cover closure
- Consult Sales Department for options

The Series 'K' Metal Filter Chambers provide excellent value and are available in either a cartridge or bag design and with a choice of carbon steel, 304 or 316 stainless steel construction. Cartridge chambers range in size from a single 10" cartridge to 448-10" cartridge capacity. Bag chambers are from 0.5 sq. ft. to 26.4 sq. ft. of surface area. These chambers are ideal for either recirculatory or single pass filtration in either series or parallel flow configurations. The wide range of sizes, styles and options means that due to chemical compatibility or temperature considerations require a metal filter chamber

CARTRIDGE CHAMBERS



SINGLE, 3 & 6 - ROUND CARTRIDGE CHAMBERS

FEATURES:

- Carbon steel or stainless steel construction
- EPDM elastomers standard (FKM optional)
- Swing bolt cover closure with eye nuts
- 300 PSI pressure rating (single)
150 PSI pressure rating (3-round and 6-round)
- 316 SS internals
- Differential, drain, and vent ports
- Adjustable support legs
- 2-part epoxy finish on carbon steel



TO ORDER, use Price Code Number

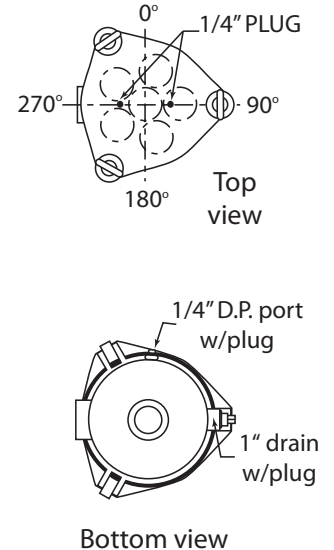
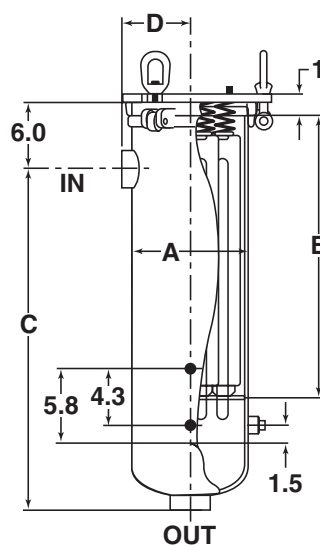
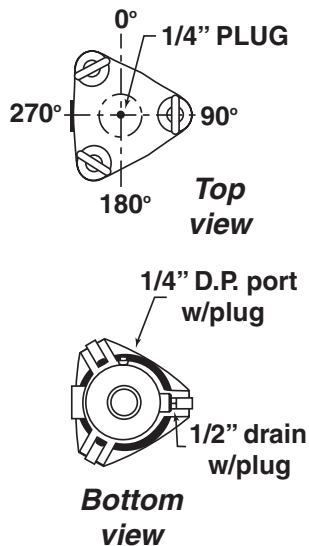
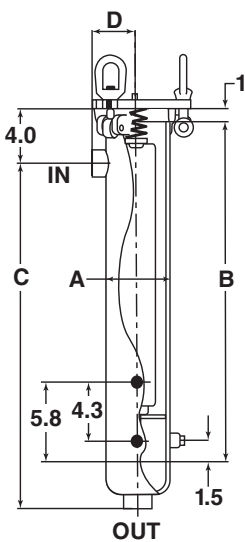
MODEL NUMBER ^{1,2}	NUMBER OF 10" CARTS.	CONN. SIZE	PRICE CODE NO. ^{1,2}	DIMENSIONS (in)				SHIP WT. (lbs)
				A	B	C	D	
SINGLE CARTRIDGE CHAMBERS								
KCS10S-1	1	1" NPT	78-2300	4.5	12.5	14.7	3.5	34
KCS20S-1	2		78-2301	4.5	22.5	24.7	3.5	42
KCS30S-1	3		78-2302	4.5	32.5	34.7	3.5	50
KCS40S-1	4		78-2303	4.5	42.5	44.7	3.5	58
3-ROUND CHAMBERS								
KCS60(2)S-1-1/2	6	1-1/2" NPT	78-2304	6.6	24.5	23.8	4.1	85
KCS90(3)S-1-1/2	9		78-2305	6.6	34.5	33.8	4.1	110
KCS120(4)S-1-1/2	12		78-2306	6.6	44.5	43.8	4.1	135
6-ROUND CHAMBERS								
KCS120(2)S-2	12	2" NPT	78-2307	8.6	24.5	23.8	5.4	120
KCS180(3)S-2	18		78-2308	8.6	34.5	33.8	5.4	145
KCS240(4)S-2	24		78-2309	8.6	44.5	43.8	5.4	170

¹ Model and Price Code Number shown for carbon steel construction.
 - for 304 SS change **first S** in Model No. to **4SS** and add **S4** to Price Code No.
 - for 316 SS change **first S** in Model No. to **6SS** and add **S6** to Price Code No.

² For FKM elastomers, add **-V** to Model No. and **V** to Price Code No.

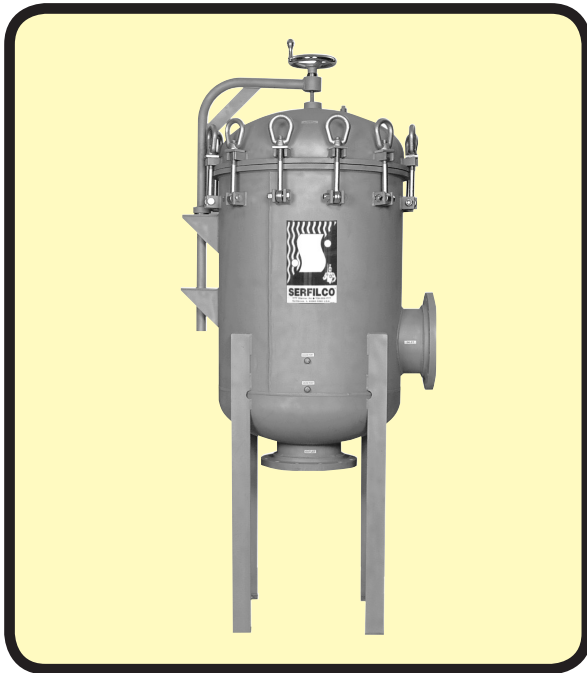
SINGLE

3-ROUND and 6-ROUND





MULTI-ROUND CARTRIDGE CHAMBERS



FEATURES:

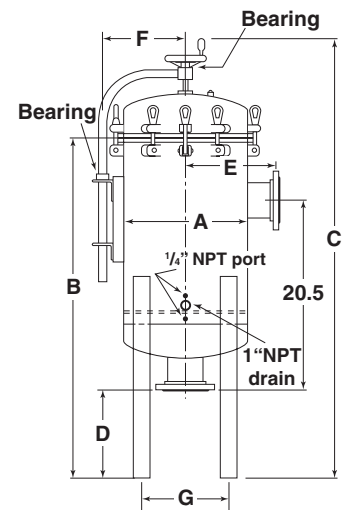
- Carbon steel or stainless steel construction
- EPDM elastomers standard (FKM optional)
- Bearing assisted davit assembly
- Swing bolt cover closure with eye nuts
- 150 PSI pressure rating
- 316 SS internals
- Differential, drain and vent ports
- Heavy duty support legs
- 2-part epoxy finish on carbon steel

Consult Sales Department for options

Filter cartridges ordered separately
see Bulletin M-109

TO ORDER, use Price Code Number

MODEL NUMBER ^{1,2}	NO. OF 10" CARTS.	DIA. A (in)	CONN. SIZE FLANGE	PRICE CODE NO ^{1,2}	DIMENSIONS (in)			SHIP WT (lbs)
					B	C	D	
KCS360(3)S-3F	36	12	3"	78-2330	54.7	70.9	10.0	410
KCS480(4)S-3F	48	12	3"	78-2331	64.7	80.9	12.5	420
KCS600(3)S-4F	60	16	4"	78-2332	55.7	71.9	10.0	480
KCS800(4)S-4F	80	16	4"	78-2333	65.7	81.9	12.5	490
KCS1040(4)S-4F	104	18	4"	78-2334	66.2	81.4	12.5	545
KCS1500(3)S-6F	150	24	6"	78-2335	57.2	73.4	12.5	635
KCS2000(4)S-6F	200	24	6"	78-2336	67.2	83.4	16.5	645
KCS2340(3)S-6F	234	30	6"	78-2337	57.9	74.1	12.5	705
KCS3360(3)S-8F	336	36	8"	78-2338	60.5	76.4	16.5	1010
KCS4480(4)S-8F	448	36	8"	78-2339	70.5	86.4	20.7	1150



¹ Model and Price Code Number shown for carbon steel construction.

- for 304 SS change **first S** in Model No. to **4SS** and add **S4** to Price Code No.
- for 316 SS change **first S** in Model No. to **6SS** and add **S6** to Price Code No.

² For FKM elastomers add **-V** to Model No. and **V** to Price Code No.

DIA. A	E	F	G
12"	11.0	9.2	10.0
16"	13.0	10.8	11.5
18"	14.0	11.8	12.0
24"	17.0	14.8	16.5
30"	20.0	17.8	20.8
36"	25.0	20.8	24.7



TWIN CAPACITY BAG CHAMBER



FEATURES:

- 2 Model KBS830 housings with common connections
- Increased flow rates
- Lower differential pressure
- Carbon steel or stainless steel construction

MODEL NUMBER ^{1,2}	SURF. AREA ³ (sq.ft)	CONN. SIZE FLANGE	PRICE CODE NO. ^{1,2}
KBS882-3F	8.8	3"	78-2316

¹ Model and Price Code Number shown for carbon steel construction.

- for 304 SS change **S** in Model No. to **4SS** and add **S4** to Price Code No.

- for 316 SS change **S** in Model No. to **6SS** and add **S6** to Price Code No.

² For FKM elastomers, add **-V** to Model No. and **V** to Price Code No.

³ Basket size 6.7" x 30" (#2)

For filter bags refer to bulletin: M-500

SINGLE BAG CHAMBERS



Single Bag Chambers
4", 6", 8" Dia.

FEATURES:

- Carbon steel or stainless steel construction
- EPDM elastomers standard (FKM optional)
- Swing bolt cover closure with eye nuts
- 300 PSI pressure rating (4" dia.)
150 PSI pressure rating (6" & 8" dia.)
- 316 SS strainer basket
- Differential, drain and vent ports
- Adjustable support legs
- 2-part epoxy paint on carbon steel

For filter bags refer to bulletin: M-500



SPECIFICATIONS

Housing lid has a 3-bolt swing closure with a vent port. Connections are as noted with standard side inlet and bottom outlet.

Housing is supplied with two differential pressure ports to measure the differential pressure across the filter bag. A two-part epoxy finish is applied on the carbon steel vessels to maximize the life of the housing; stainless steel vessels are supplied with a

satin finish. Basket material is constructed of 316 stainless steel with 9/64" perforations to act as a strainer or to accept a liquid filter bag. Basket for KBS6 and KBS8 chamber seats onto an "O"-ring in the basket support. Adjustable tripod leg assembly is supplied with housing.

KBS4 chamber is rated at 300 PSI. KBS6 and KBS8 chambers are rated at 150 PSI.

TO ORDER, use Price Code Number

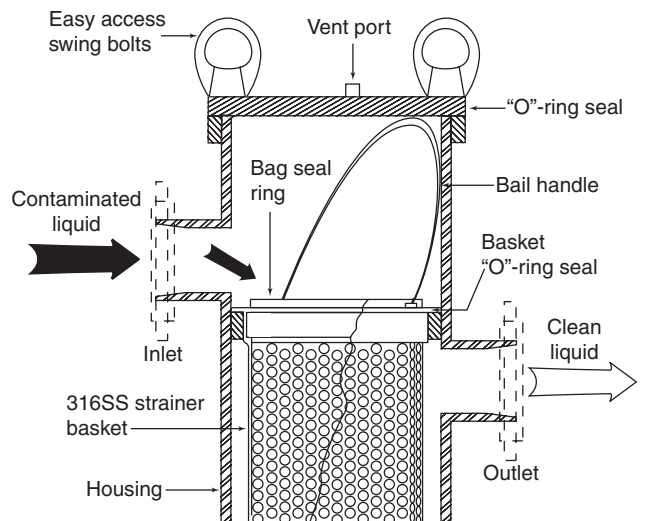
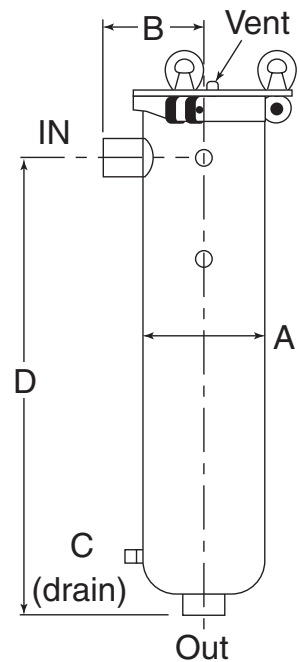
MODEL NUMBER ^{1,2}	SURFACE AREA (sq. ft.)	DIA. A (in)	BASKET SIZE (in)	CONN. SIZE	PRICE CODE NO. ^{1,2}
KBS406-1	0.5	4.5	3.9 x 6 (#3)	1" NPT	78-2310
KBS412-1	1.0	4.5	3.9 x 12 (#4)	1" NPT	78-2311
KBS618-1-1/2	2.0	6.6	5 x 18 (#8)	1-1/2" NPT	78-2312
KBS630-1-1/2	3.4	6.6	5 x 30 (#9)	1-1/2" NPT	78-2313
KBS815-2	2.3	8.6	6.7 x 15 (#1)	2" NPT	78-2314
KBS830-2	4.4	8.6	6.7 x 30 (#2)	2" NPT	78-2315

¹ Model and Price Code Number shown for carbon steel construction.
 - for 304 SS change **S** in Model No. to **4SS** and add **S4** to Price Code No.
 - for 316 SS change **S** in Model No. to **6SS** and add **S6** to Price Code No.

² For FKM elastomers, add **-V** to Model No. and **V** to Price Code No.

MODEL NUMBER	DIMENSIONS (in)			SHIP WT. (lbs)
	B	C	D	
KBS406-1	3.0	0.5	12.3	35
KBS412-1	3.0	0.5	17.5	40
KBS618-1-1/2	4.2	.75	25.3	90
KBS630-1-1/2	4.2	.75	35.2	115
KBS815-2	5.3	1.0	24.7	115
KBS830-2	5.3	1.0	36.2	135

Threaded (NPT) Bottom Outlet
 Side outlet and flanged connections also available

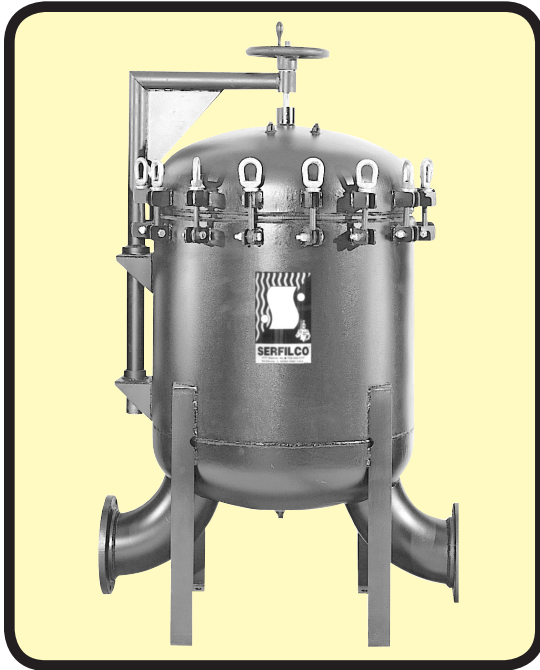


KBS6 & KBS8



MULTI-ROUND BAG CHAMBERS

FEATURES:



- Carbon steel or stainless steel construction
- EPDM elastomers standard (FKM optional)
- Uses multiple #2 size bags
- Bearing assisted davit assembly
- Swing bolt cover closure with eye nuts
- 150 PSI pressure rating
- SS strainer basket
- Differential, drain and vent ports
- Heavy duty support legs
- 2-part epoxy finish on carbon steel Consult Sales Department for options

For filter bags refer to bulletin: M-500

TO ORDER, use Price Code Number

MODEL NUMBER ^{1,2}	SURF. AREA ³ (sq.ft)	NUMBER OF BASKETS	DIA. A (in)	CONN. SIZE FLANGE	PRICE CODE NO. ^{1,2}	DIMENSIONS (in)						SHIP WT. (lbs)
						B	C	D	E	F	G	
KBS2230-4F	17.6	4	22	4"	78-2350	52.5	70.0	6.5	14.5	15.0	16.5	590
KBS2630-4F	26.4	6	26	4"	78-2351	52.5	70.0	6.5	14.5	15.0	16.5	555

¹ Model and Price Code Number shown for carbon steel construction.
- for 304 SS change **S** in Model No. to **4SS**
and add **S4** to Price Code No.

² For FKM elastomers, add **-V** to Model No. and **V** to Price Code No.

³ Basket size 6.7" x 30" (#2)

