

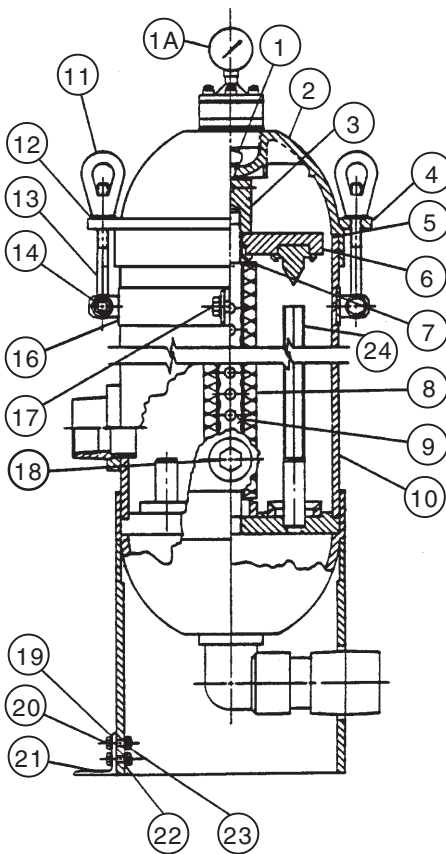


SERIES 'WT' FILTER CHAMBER

FOR NOMINAL (DOE) CARTRIDGES

Refer to Bulletin C-103,
Operation and Service
Guide O-850 and Master
Price List-F-800.

MODELS	PRICE CODE NUMBERS
PL70S-2	78-1150A
PL140S-2	78-1151A
PL210S-2	78-1152A
PL280S-2	78-1153A

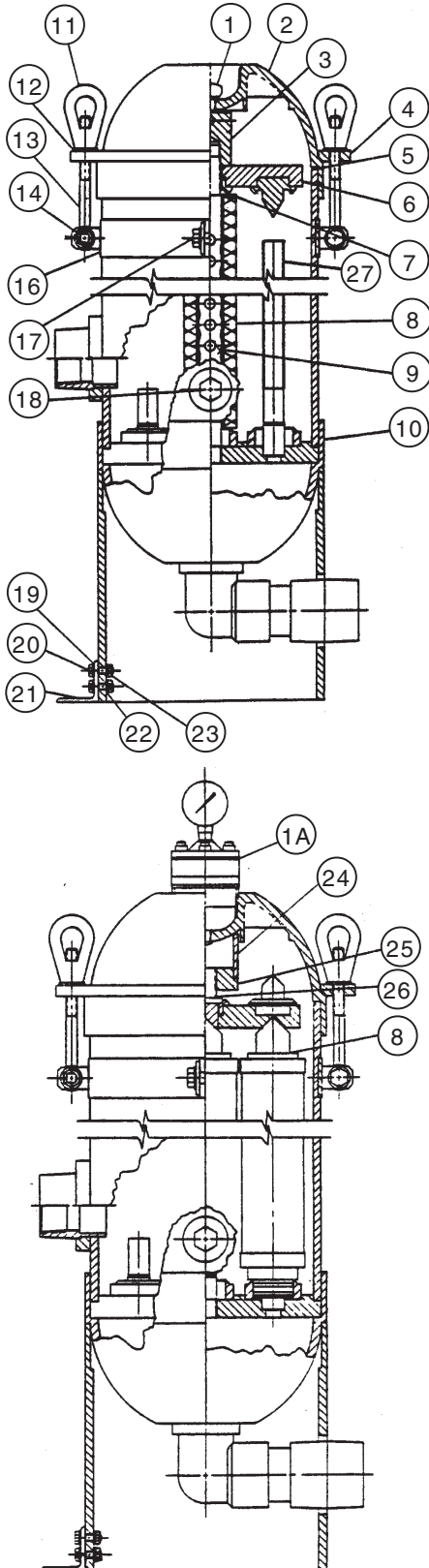


ITEM	DESCRIPTION	MODELS			
		PL70S-2	PL140S-2	PL210S-2	PL280S-2
		PART NUMBERS			
1	Vent plug assembly 1/4" NPT - PP w/EPDM "O"-ring (standard) - PP w/Viton "O"-ring (optional)			88-1282A	88-1282B
1A	Gauge guard assembly (optional) - PVC, -G7			78-0078	
2	Dome cover - ABS			88-1281E	
3	Hand nut - PVC			88-1280	
4	Swing bolt flange- vinyl coated steel			77-1184E	
5 ¹	Housing seal - EPDM (standard) - Viton (optional)			22-0671	22-0673
6	Top seat plate assembly - PVC			77-1185	
7 ¹	Tube spacer - EPDM (standard) - Viton (optional)			22-0218	22-0204
8	Filter cartridge	Consult Application Engineering Dept.			
9	Center post - PVC	88-1323 1	88-1323 2	88-1323 3	88-1323 4
10	Housing assembly - PVC	88-1278 1A	88-1278 2A	88-1278 3A	88-1278 4A
11	Eye nut, 1/2"-13 - chrome plated steel (6 req'd)			11-0625	
11A	Hex nut, 1/2"-13 - 316 stn. steel (opt) (6 req'd)			11-0625 1	
12	Washer, 1/2" size - stn. steel (6 req'd)			11-0619	
12A	Washer, 1/2" size - 316 stn. stl (opt) (6 req'd)			11-0619 1	
13	Swing bolt, 1/2"-13 x 5 3/4" long - 316 stainless steel (6 req'd)			11-0474 1	
14	Hex head bolt, 3/8"-16 x 1-5/8" - stn. steel (6 req'd) Flat washer, 3/8" - stn.stl. (12 req'd) Hex nut, self locking 3/8"-16 - stn. steel (6 req'd)			11-0444 1	11-0126
16	Swing bolt bracket - vinyl coated steel			77-1183	
17	Hex bolt, 3/8"-16 x 1 3/4" - stn. steel Flat washer, 3/8" - stn. steel (2 req'd) Lockwasher, 3/8" - stn. steel Hex nut, 3/8" - stn. steel			11-0374	11-0126
18	Plug, 1/2" NPT - CPVC - EPDM "O"-ring - Viton "O"-ring (opt)			33-0866	22-0569
19	Washer, 1/4" size - stainless steel (opt)			11-0121	
20	Hex bolt, 1/4"-20 x 1 1/4" long - stn.stl. (opt)			11-0136	
21	Deck anchor cleat - fiberglass (opt)			77-1186	
22	Lock washer, 1/4" size - stn. steel (opt)			11-0322	
23	Hex nut, 1/4"-20 - stainless steel (opt)			11-0107	
24	Stepped cross-post - PVC (optional)	-	88-0350 5	88-0351 5	88-0352 5
	Items 25 through 28 listed below are not shown.				
25	Ultraviolet weather jacket (optional)	88-1318 1	88-1318 2	88-1318 3	88-1318 4
26	Separator plate - PVC	-	-	-	88-1314
27	Separator plate support rod - PVC	-	-	-	88-1317
28	Pipe cap, 1/4" NPT - PVC	-	-	-	33-1613

¹ Recommended Spare Parts.

FOR ABSOLUTE (SOE) CARTRIDGES

MODELS	PRICE CODE NOS.
PL70S-2-2	78-1150A 2
PL140S-2-2	78-1151A 2
PL210S-2-2	78-1152A 2
PL280S-2-2	78-1153A 2



ITEM	DESCRIPTION	MODELS			
		PL70S-2-2	PL140S-2-2	PL210S-2-2	PL280S-2-2
		PART NUMBERS			
1	Vent plug assembly 1/4" NPT - PP w/EPDM "O"-ring (standard) - PP w/Viton "O"-ring (optional)	88-1282A 88-1282B			
1A	Gauge guard ass'y. - PVC, -G7(opt)	78-0078			
2	Dome cover - ABS	88-1281E			
3	Hand nut - PVC	88-1280			
4	Swing bolt flange - vinyl coated steel	77-1184E			
5 ¹	Housing seal - EPDM (standard) - Viton (optional)	22-0671 22-0673			
6	Top seat plate assembly - PVC	77-1185			
7 ¹	Tube spacer - EPDM (standard) - Viton (optional)	22-0218 22-0204			
8	Filter cartridge	Consult Application Engineering Dept.			
9	Center post - PVC	88-1323 1	88-1323 2	88-1323 3	88-1323 4
10	Housing assembly - PVC	88-1278 1A	88-1278 2A	88-1278 3A	88-1278 4A
11	Eye nut, 1/2"-13 - chrome plated stl. (6 req'd)	11-0625			
11A	Hex nut, 1/2"-13 - 316 stn. stl. (opt) (6 req'd)	11-0625 1			
12	Washer, 1/2" size - stn. steel (6 req'd)	11-0619			
12A	Washer, 1/2" size - 316 stn. stl. (opt) (6 req'd)	11-0619 1			
13	Swing bolt, 1/2"-13 x 5 3/4" long - 316 stainless steel (6 req'd)	11-0474 1			
14	Hex head bolt, 3/8"-16 x 1-5/8" - stainless steel (6 req'd) Flat washer, 3/8" - stainless steel (12 req'd) Hex nut, self-locking, 3/8"-16 - stainless steel (6 req'd)	11-0444 1 11-0126 11-0519			
16	Swing bolt bracket - vinyl coated steel	77-1183			
17	Hex head bolt, 3/8"-16 x 1 1/4" - stn. steel Flat washer, 3/8" - stn. steel (2 req'd) Lockwasher, 3/8" - stn. steel Hex nut, 3/8" - stn. steel	11-0374 11-0126 11-0140 11-0105			
18	Plug, 1/2" NPT - CPVC - EPDM "O"-ring - Viton "O"-ring (opt.)	33-0866 22-0569 22-0568			
19	Washer, 1/4" size - stainless steel (opt)	11-0121			
20	Hex bolt, 1/4"-20 x 1 1/4" long - stn. steel (opt)	11-0136			
21	Deck anchor cleat - vinyl coated steel (opt)	77-1186			
22	Lock washer, 1/4" size - stn. steel (opt)	11-0322			
23	Hex nut, 1/4"-20 - stainless steel (opt)	11-0107			
24	Top seat spacer - PVC	88-1319			
25	Top seat nut - PVC	88-1321			
26	Top seat stud - PVC	88-1320			
27	Stepped cross-post - PVC (opt)	-	88-0350 5	88-0351 5	88-0352 5
Items 28 through 31 listed below are not shown.					
28	Ultraviolet weather jacket (optional)	88-1318 1	88-1318 2	88-1318 3	88-1318 4
29	Separator plate - PVC	-	-	-	88-1314
30	Separator plate support rod - PVC	-	-	-	88-1317
31	Pipe cap, 1/4" NPT - PVC	-	-	-	33-1613

¹ Recommended Spare Parts.

F.O.B. Northbrook, Illinois

Terms: Net 30 Days

Minimum order \$25.00

SERFILCO[®], LTD.

2900 MacArthur Blvd. 847-509-2900
Northbrook, IL 60062-2005 U.S.A. 800-323-5431
e-mail: sales@serfilco.com FAX: 847-559-1995
www.serfilco.com

WESTERN
310-532-0801
FAX: 310-532-0866